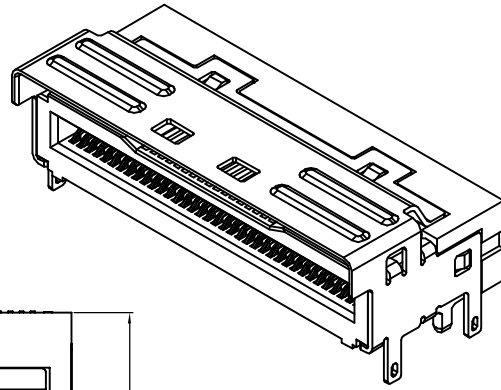


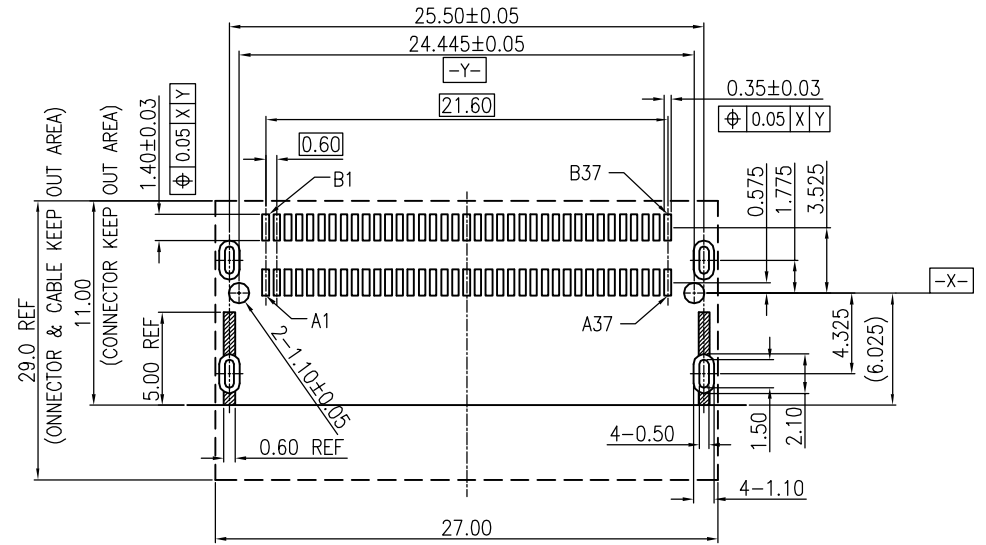
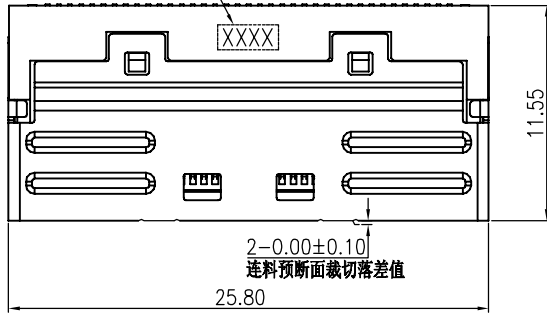
RoHS Compliant

HF

|      |            |                |
|------|------------|----------------|
| REV. | ECN.NO.    | MODIFY.CONTENT |
| A    | 2023-07-19 | NEW            |



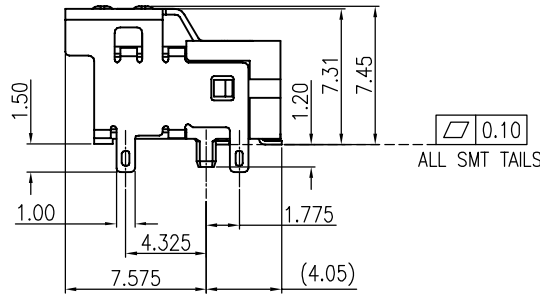
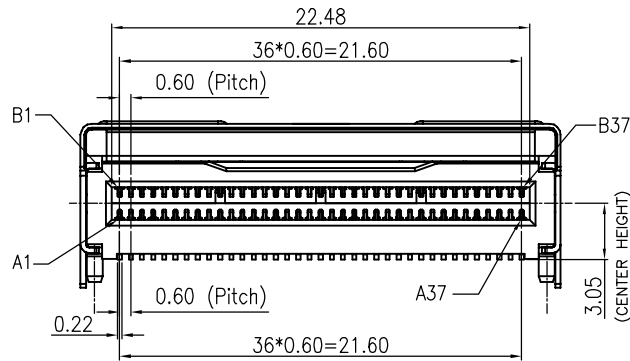
DATE CODE  
印字周期:  
年年周周



(CONNECTOR & CABLE KEEP OUT AREA)  
RECOMMENDED PCB LAYOUT (TOP VIEW) SHELL KEEP OUT AREA  
(GENERAL TOLERANCE:±0.05)

- NOTES:
- MATERIAL:  
HOUSING: HIGH TEMPERATURE THERMOPLASTIC 94V-0, BLACK COLOR  
TERMINAL: COPPER ALLOY  
SHELL: STAINLESS STEEL
  - PLATING:  
TERMINAL:  
SELECTIVE Au (SEE ORDER INFORMATION) ON CONTACT AREA,  
MATTE TIN ON SOLDER TAIL 80u"AREA, BOTH OVER Ni 50u" UNDERPLATED.  
SHELL:  
SOLDERABLE Ni 50u" PLATED OVERALL.
  - PACKING: TAPE & REEL
  - ORDER INFORMATION: MC21-FW74-00XX

- 42: Au 1u"
- 43: Au 3u"
- 46: Au 15u"
- 47: Au 30u"



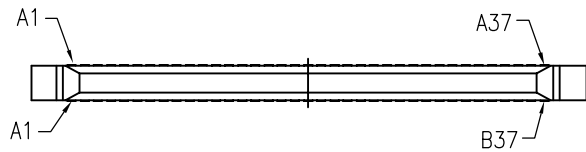
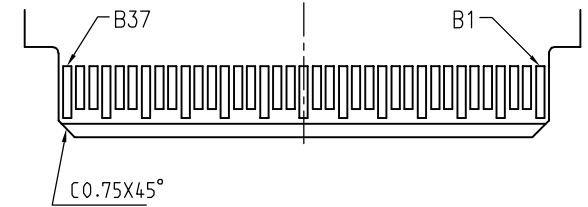
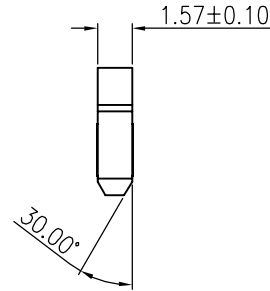
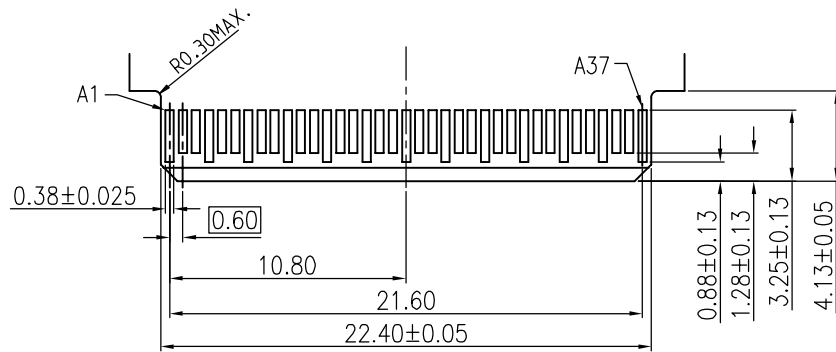
|                   |         |                |          |   |          |                 |
|-------------------|---------|----------------|----------|---|----------|-----------------|
| GENERAL TOLERANCE | DWG.NO. | MC21-FW74-0000 | PART.NO. | MC21-FW74-00XX  | DRAWN    | Tony 2023-07-19 |
| x.±0.50           | REV.    | A              | TITLE    | MINI COOL EDGE IO INTEGRATED 74P CONNECTOR 0.60PITCH (PCIE GEN 5) | CHECKED  |                 |
| .x±0.25           | SIZE    | A4             | SHEET    | 1 OF 3  | APPROVED |                 |
| .xx±0.15          | A4      |                |          |   |          |                 |

|  |    |       |     |
|--|----|-------|-----|
| UNIT   | mm | SCALE | 1:1 |
| 东莞市欧联电子科技有限公司<br>DONGGUAN OLN ELECTRONICS TECHNOLOGY CO., LTD. |    |       |     |


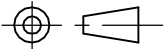
RoHS  
Compliant

HF

| REV. | ECN.NO.    | MODIFY.CONTENT |
|------|------------|----------------|
| A    | 2023-07-19 | NEW            |



RECOMMENDED AIC MATING CARD DIMENSIONS

| GENERAL TOLERANCE |        | DWG.NO. | MC21-FW74-0000  | PART.NO. | MC21-FW74-00XX  | DRAWN    | Tony 2023-07-19 | UNIT  | mm | SCALE | 1:1 |
|-------------------|--------|---------|---|----------|---|----------|-----------------|---|----|-------|-----|
| x.±0.50           | x.±5°  | REV.    | A   | TITLE    | MINI COOL EDGE IO INTEGRATED 74P CONNECTOR 0.60PITCH (PCIE GEN 5) | CHECKED  |                 |  <b>东莞市欧联电子科技有限公司</b><br>DONGGUAN OLN ELECTRONICS TECHNOLOGY CO., LTD. |    |       |     |
| .x±0.25           | .x±2°  | SIZE    |  | SHEET    | 2 OF 3  | APPROVED |                 |   |    |       |     |
| .xx±0.15          | .xx±1° | A4      |   |          |   |          |                 |   |    |       |     |

# 东莞市欧联电子科技有限公司

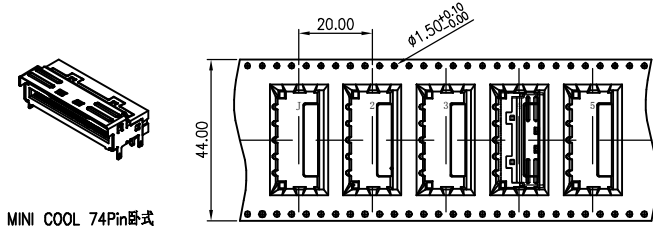
|      |            |                |
|------|------------|----------------|
| REV. | ECN.NO.    | MODIFY.CONTENT |
| A    | 2023-07-19 | NEW            |

## 包装作业规范

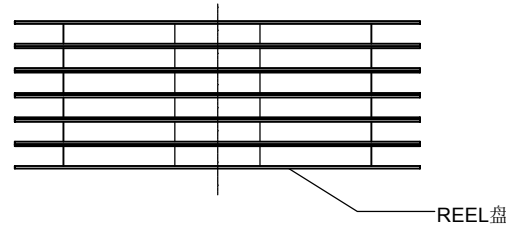
包装作业图示及说明

(PACKING OPERATION DIAGRAM & INSTRUCTION)

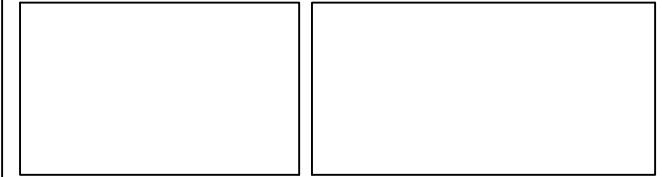
- 一. 1) 将成品一一放入REEL包装盘内,依同一方向放入.  
 2) 包装时,如图所示.  
 3) 一个REEL包装盘放置300个成品.



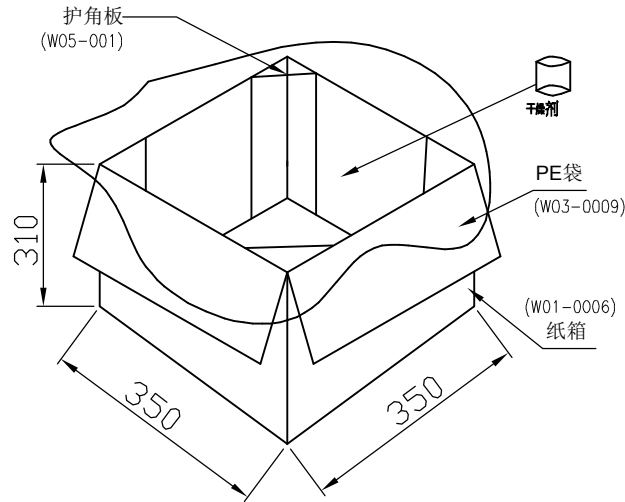
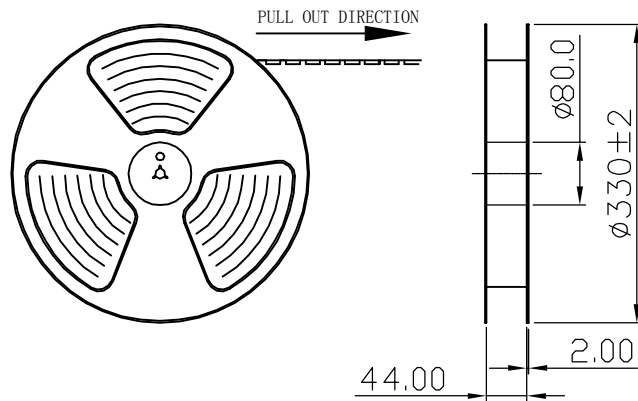
- 三. 1) 每箱装 6 盘REEL包装盘.  
 2) 每箱放置1800 PCS 的成品.



- 四. 1) 用TAPE將紙箱封實.



- 二. 1) 装盘前先把前面空15pcs产品,然后再开始装盘,尾端也需空15pcs产品,上带加长200mm.  
 2) 装满成品的REEL包装盘如下图所示.



備註 (REMARK)

1. 若有未装满之零数箱,必须以缓冲材塞满.

|                   |        |         |                |          |   |          |                 |
|-------------------|--------|---------|----------------|----------|---|----------|-----------------|
| GENERAL TOLERANCE |        | DWG.NO. | MC21-FW74-0000 | PART.NO. | MC21-FW74-00XX  | DRAWN    | Tony 2023-07-19 |
| x,±0.50           | x.±5°  | REV.    | A              | TITLE    | MINI COOL EDGE IO INTEGRATED 74P CONNECTOR 0.60PITCH (PCIE GEN 5) | CHECKED  |                 |
| .x±0.25           | .x±2°  | SIZE    |                | SHEET    | 3 OF 3  | APPROVED |                 |
| .xx±0.15          | .xx±1° | A4      |                |          |   |          |                 |

|  |    |       |          |
|--|----|-------|----------|
| UNIT   | mm | SCALE | ND SCALE |
|  东莞市欧联电子科技有限公司<br>DONGGUAN OLN ELECTRONICS TECHNOLOGY CO., LTD. |    |       |          |