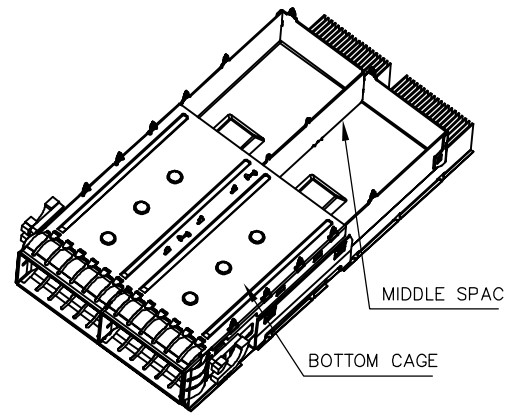
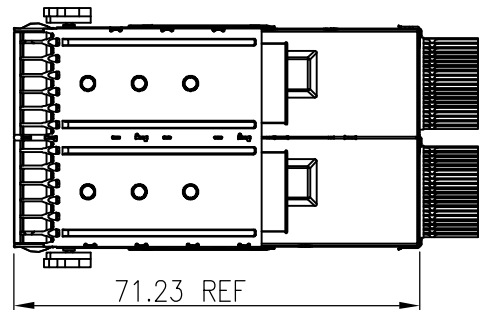
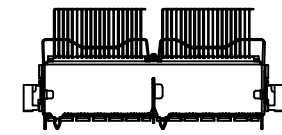
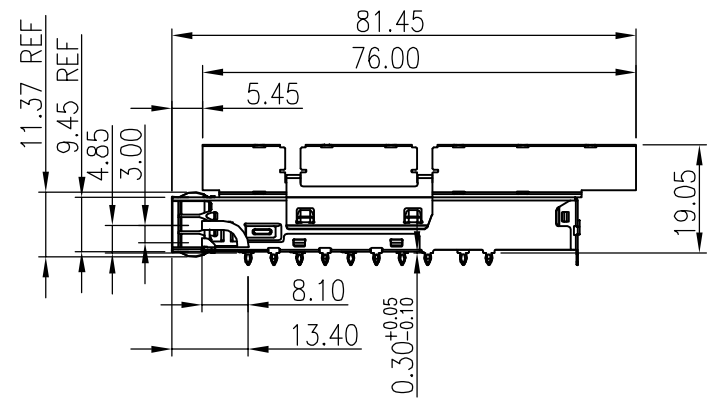
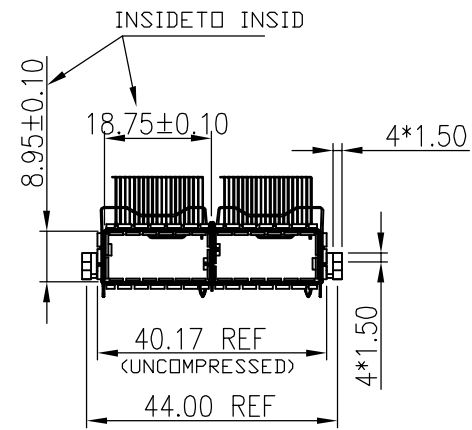
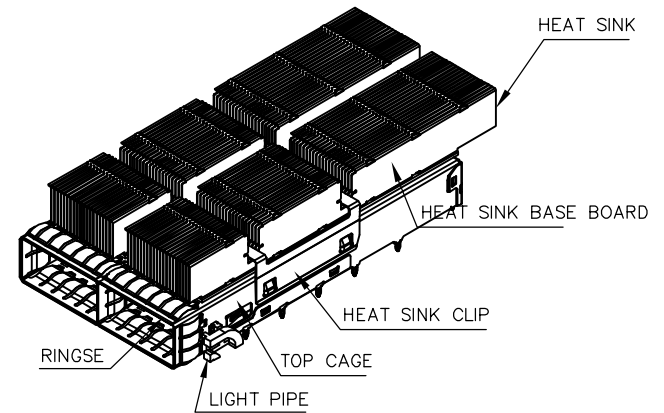
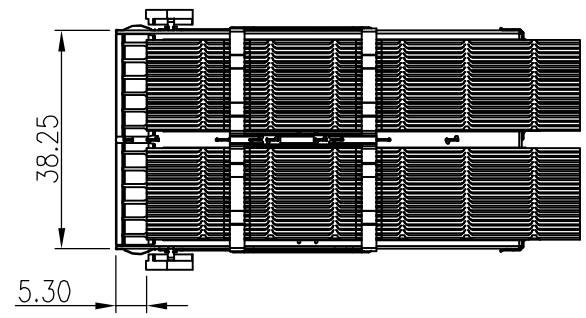


RoHS Compliant HF

REV.	ECN.NO.	MODIFY.CONTENT
A	/	NEW

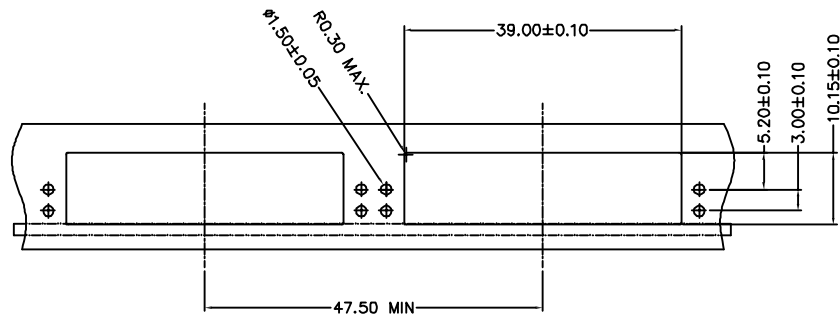


NOTES:
 1.MATERIAL: TOP AND BOTTOM CAGE :STAINLESS STEEL,T=0.25MM
 MIDDLE SPACER :STAINLESS STEEL,T=0.25MM
 FRONT EMI SPRINGS :COPPER ALLOY,NICKEL PLATING,T=0.06MM
 LIGHT PIPE :PC CLEAR
 HEAT SINK FINS :Cu PLATED NICKEL PLATIN.T=0.20MM.
 HEAT SINK BASE BOARD: ALUMINUM,NICKEL PLATING.
 HEAT SINK CLIP :STAINLESS STEEL,T=0.25MM
 2. TEMPERATURE:
 OPERATION: -40°C~+85°C
 STORAGE: -40°C~+85°C
 3.RoHS COMPLIANCE

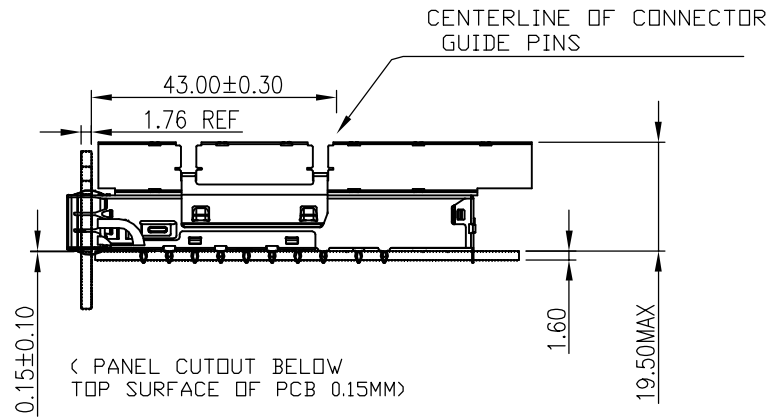
GENERAL TOLERANCE	TOLERANCE	DWG.NO.	QSF D-02020-1702	PART.NO.	QSF D-02020-1702	DRAWN	Tony 2020.12.22	UNIT	mm	SCALE	NO SCALE
x,±0.30	x.±1°	REV.	A	TITLE	QSFP-DD 1X2 带散热器导光柱	CHECKED		 东莞市欧联电子科技有限公司 DONGGUAN OLN ELECTRONICS TECHNOLOGY CO., LTD.			
.x±0.20	.x±0.5°	SIZE		SHEET	1 OF 2	APPROVED					
.xx±0.13		A4									

RoHS Compliant HF

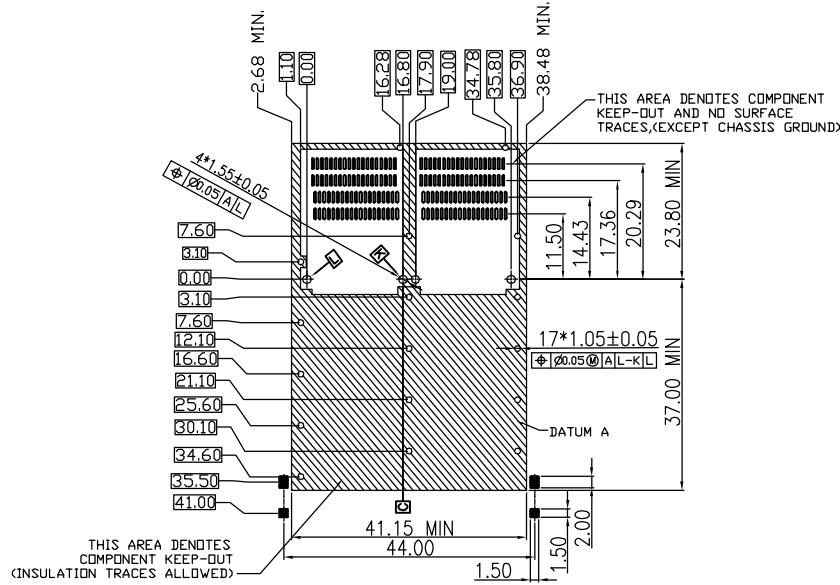
REV.	ECN.NO.	MODIFY.CONTENT
A	/	NEW



PANEL AND BOARD POSITION DIMENSIONS FOR SINGLE SIDE MOUNTING



< PANEL CUTOUT BELOW TOP SURFACE OF PCB 0.15MM >



RECOMMENDED HOST PC BOARD SINGLE SIDE LAYOUT COMPONENT SIDE OF BOARD

GENERAL TOLERANCE	DWG.NO.	QSF D-02020-1702	PART.NO.	QSF D-02020-1702	DRAWN	Tony 2020.12.22	UNIT	mm	SCALE	NO SCALE
x.±0.30	REV.	A	TITLE	QSFP-DD 1X2 带散热器导光柱	CHECKED		 东莞市欧联电子科技有限公司 DONGGUAN OLN ELECTRONICS TECHNOLOGY CO., LTD.			
.x±0.20	SIZE	A4	SHEET	2 OF 2	APPROVED					
.xx±0.13										