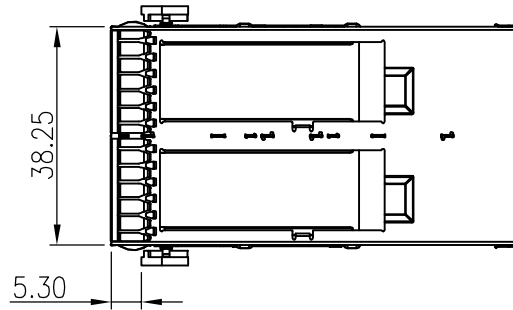
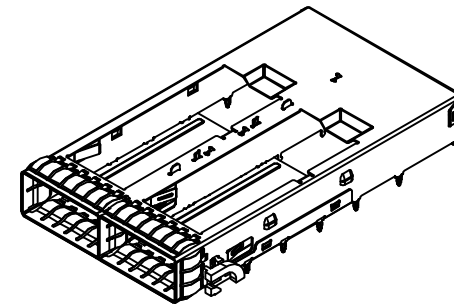
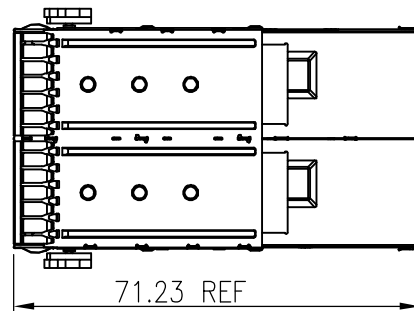
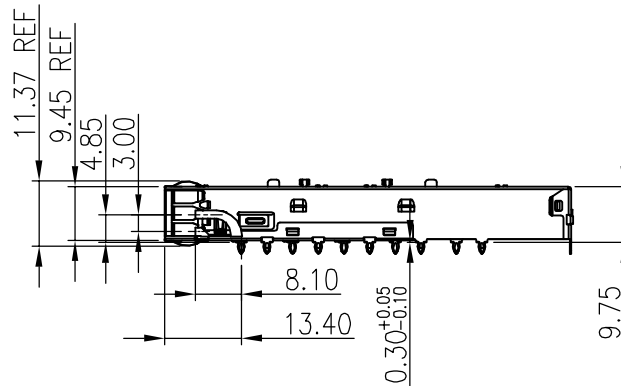
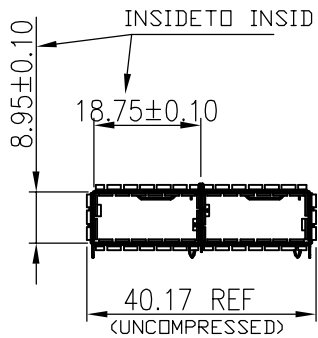



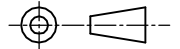
RoHS Compliant HF

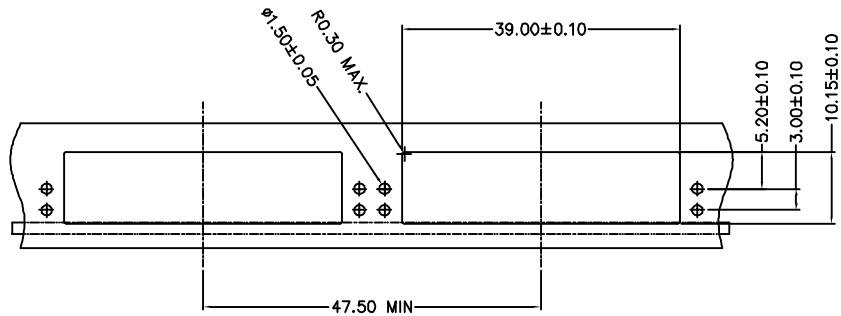
REV.	ECN.NO.	MODIFY.CONTENT
A	/	NEW



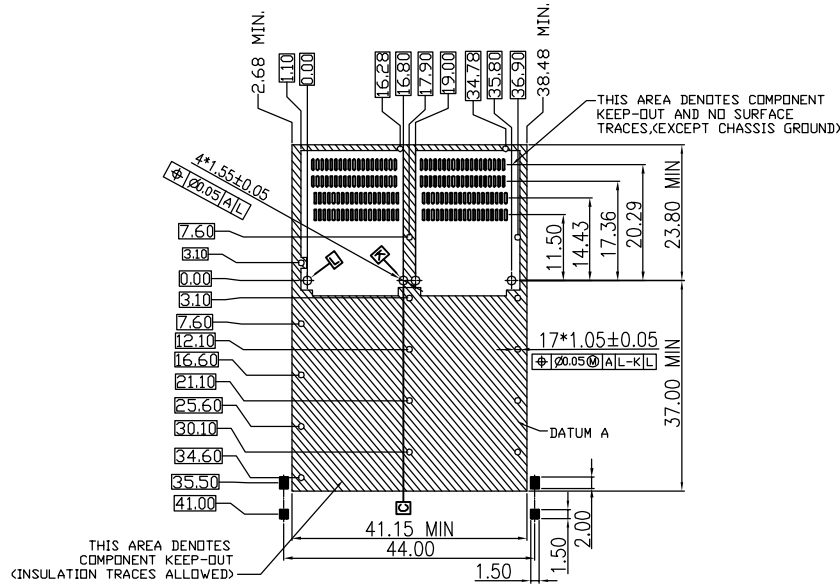
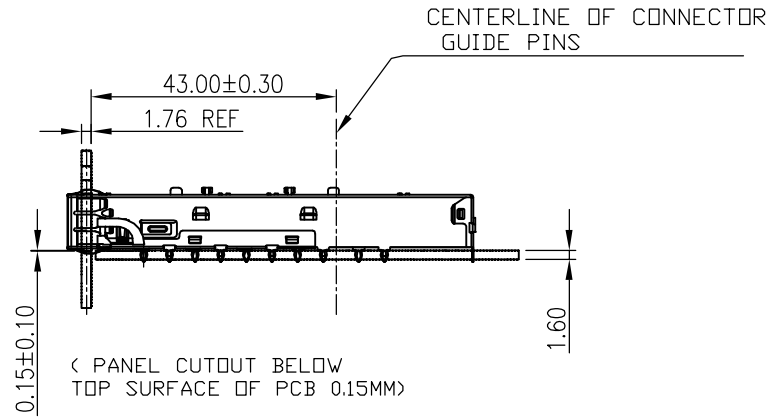
- NOTES:
- MATERIAL: TOP AND BOTTOM CAGE : STAINLESS STEEL, T=0.25MM
 MIDDLE SPACER : STAINLESS STEEL, T=0.25MM
 FRONT EMI SPRINGS : COPPER ALLOY, NICKEL PLATING, T=0.06MM
 LIGHT PIPE : PC CLEAR
 HEAT SINK FINS : Cu PLATED NICKEL PLATING, T=0.20MM.
 HEAT SINK BASE BOARD: ALUMINUM, NICKEL PLATING.
 HEAT SINK CLIP : STAINLESS STEEL, T=0.25MM
 - TEMPERATURE:
 OPERATION: -40°C~+85°C
 STORAGE: -40°C~+85°C
 - RoHS COMPLIANCE




GENERAL TOLERANCE		DWG.NO.	QSFD-02020-0000	PART.NO.	QSFD-02020-0001	DRAWN	Tony 2020.12.22	UNIT	mm	SCALE	ND SCALE
x,±0.35	x. ± 1°	REV.	A	TITLE	QSFP-DD 1X2 CAGE	CHECKED		 东莞市欧联电子科技有限公司 DONGGUAN OLN ELECTRONICS TECHNOLOGY CO., LTD.			
.x±0.30	.x ± 0.5°	SIZE		SHEET	1 OF 2	APPROVED					
.xx±0.20		A4									



PANEL AND BOARD POSITION DIMENSIONS FOR SINGLE SIDE MOUNTING



RECOMMENDED HOST PC BOARD SINGLE SIDE LAYOUT COMPONENT SIDE OF BOARD

GENERAL TOLERANCE		DWG.NO.	QSF D-02020-0000	PART.NO.	QSF D-02020-0001	DRAWN	Tony 2020.12.22	UNIT	mm	SCALE	NO SCALE
x,±0.35	x. ± 1°	REV.	A	TITLE	QSFP-DD 1X2 CAGE	CHECKED		 东莞市欧联电子科技有限公司 DONGGUAN OLN ELECTRONICS TECHNOLOGY CO., LTD.			
.x±0.30	.x ± 0.5°	SIZE		SHEET	2 OF 2	APPROVED					
.xx±0.20		A4	