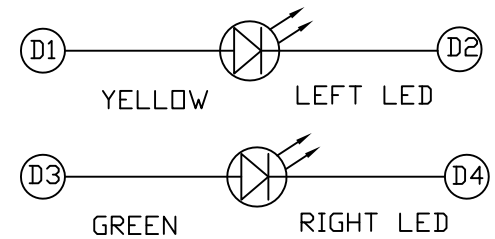


REV.	ECN.NO.	MODIFY.CONTENT
A	/	NEW
B	/	新增料号规格

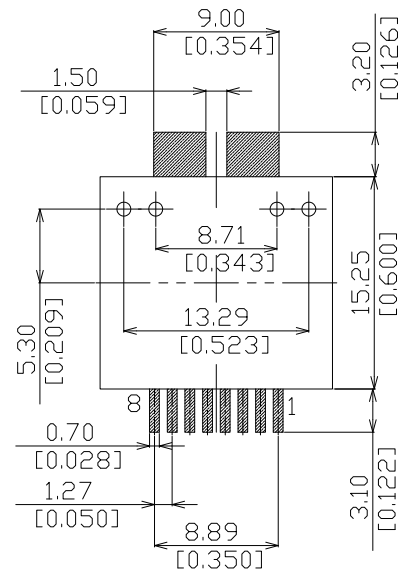
MATERIAL:
 1.HOUSING:LCP,UL94V-0,BLACK.
 2.TERMINAL: C5191,T=0.30MM
 PLATING:GOLD FLASH ON CONTACT AREA,
 50U' MIN NICKEL UNDERPLATING OVERALL,
 100U'MIN TIN PLATING ON SOLDERING AREA.
 3.SHELL:C2680,T=0.20MM.
 PLATING:20U'MIN NICKEL PLATING OVERALL.

MECHANICAL:
 1.DURABILITY:750 CYCLES.
 2.MATING/UNMATING FORCE:2.24KG.MAX.
 3.OPERATING TEMPERATURE:-40°C ~ +85°C.
 4.STORAGE TEMPERATURE:-40°C ~ +85°C.
 5.ALL CRITICAL DIMENSIONS WITH "*"

ELECTRICAL:
 1.VOLAGE:125VOLTS AC.
 2.CURRENT RATING:125AMP.
 3.DIELECTRIC STRENGTH:500VDC RMS 50HZ.1MIN.
 4.INSULATION RESISTANCE :500 MEGA OHMS MIN.
 INITIAL AFTER 100V DC FOR 1MINUTE.
 5.CONTACT RESISTANCE:40 MILLI OHMS MAX.



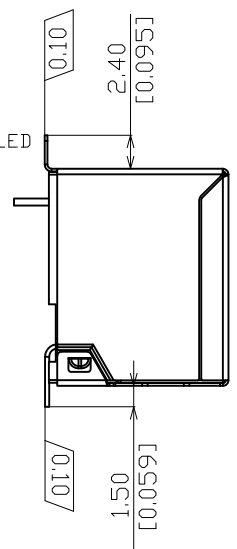
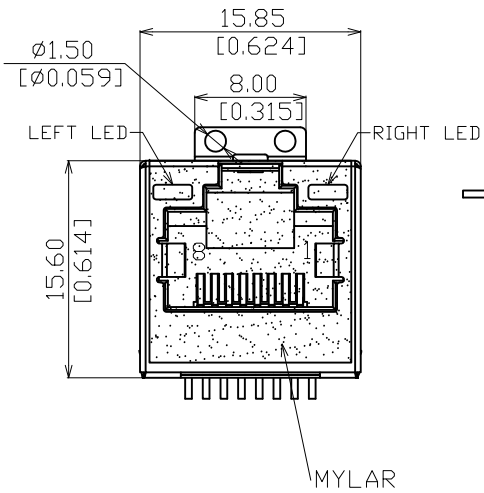
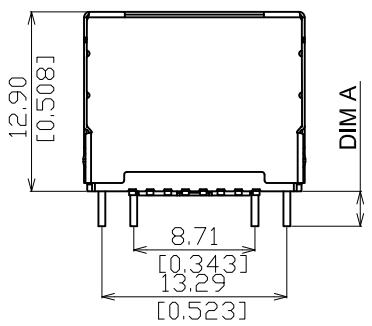
LED Color	λ P(nm)	VF@IF=20mA	IR @VR=5V
GREEN	565	1.8~2.4 V	10 uA max
YELLOW	585	1.8~2.4 V	10 uA max



(TOP VIEW) RECOMMENDED PCB LAYOUT
 ALL TOLERANCE ARE: ±0.05mm

8	—
7	—
6	RX-
5	—
4	—
3	RX+
2	TX-
1	TX+
PIN序	说明

6	1.4x3.2x4.0 平头半透明亮锡绿灯	1	SPCC T=0.5mm	胶体半透明绿色发绿光
5	1.4x3.2x4.0 平头半透明亮锡黄灯	1	SPCC T=0.5mm	胶体半透明黄色发黄光
4	RJ45 立式12.7H DIP有灯外壳	1	C2680 T=0.35mm	镍50u"
3	RJ45 立式12.7H端子	8	C5191 T=0.35mm	Au/亮锡100u"/NI 50u"
2	RJ45 立式12.7H DIP插芯半成品	1	LCP UL94V-0	
1	RJ45 立式12.7H有柱有灯主体	1	LCP UL94V-0	
NO.	PART NAME	Q'TY	MATERIAL	PLATING & COLOR



料号	DIM A
RJ45-AF08H01542	3.25±0.3
RJ45-AF08H02542	1.4±0.2

GENERAL TOLERANCE	DWG.NO.	RJ45-AF08H00542	PART.NO.	RJ45-AF08H**542	DRAWN	YZQ 2022. 12. 27
x.±0.50	x.*± 5°	REV.	A	TITLE	RJ45 立式12.7H SMT有亮有灯无柱	CHECKED
.x±0.25	.x*± 2°	SIZE		SHEET	1 OF 1	APPROVED
.xx±0.15	.xx± 1°	A4				

UNIT mm SCALE 1:1

OLN® 东莞市欧联电子科技有限公司
 DONGGUAN OLN ELECTRONICS TECHNOLOGY CO., LTD.