

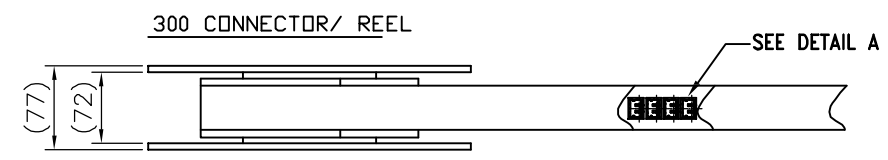
SPECIFICATIONS:

- Material And Finish:
 - Insulator: High Temperature Thermoplastic UL94 V-0 Black
 - Contact: Copper Alloy. Plating refer to P/N System
 - Latch: Stainless Steel. Solderable Nickel Plated Overall.
- Electrical Specification:
 - Contact Resistance: Δ20m Ohms Max.
 - Insulation Resistance: 1000M Ohms Min. At 100V DC For 60s.
 - Withstanding Voltage: 300V Min. DC For 60 Seconds.
 - Voltage Rating: 30V AC.
 - Current Rating: 0.5A Per Pin.
- Mechanical Specification:
 - Latch Retention Force: 50N Min.
 - Mating Force: 40N Max.
 - Unmating Force: 3N Min.
 - Durability: 250 Cycles.
- Environmental Specification:
 - Operating Temperature: -40°C ~ +85°C.
 - Temperature Rise: 30°C Max.
- P/N Order : SS03-FW74-06XX

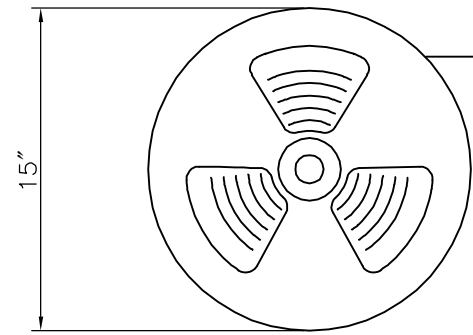
- 42: Au 1u"
- 43: Au 3u"
- 46: Au 15u"
- 47: Au 30u"

GENERAL	TOLERANCE	DWG.NO.	SS03-FW74-0600	PART.NO.	SS03-FW74-06XX	DRAWN	TONY 2022-04-28
x.±0.50	x.±5°	REV.	X1	TITLE	SLIMSAS 8X SOCKET R/A	CHECKED	
.x±0.25	.x±2°	SIZE		SHEET	1 OF 2	APPROVED	
.xx±0.15	.xx±1°	A4					

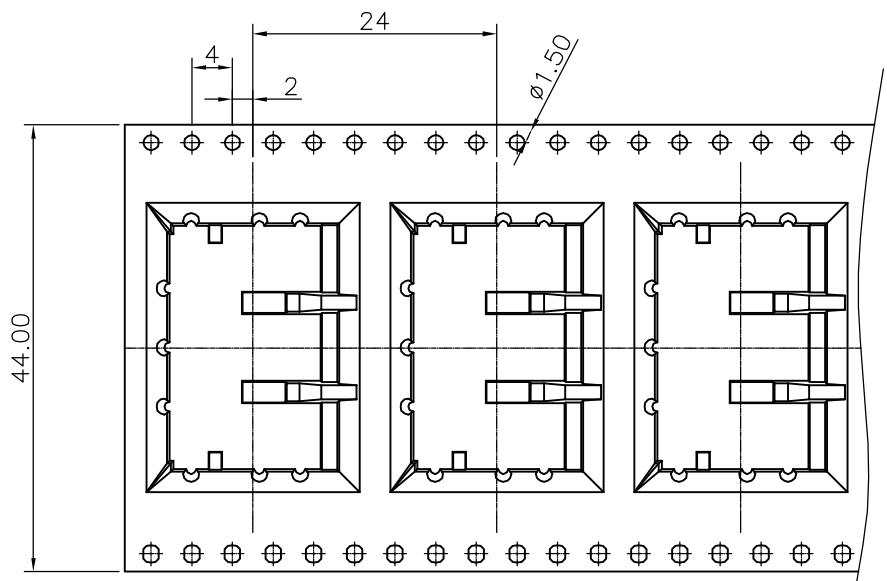
UNIT	mm	SCALE	1:1
东莞市欧联电子科技有限公司 DONGGUAN OLN ELECTRONICS TECHNOLOGY CO., LTD.			



PULL OUT DIRECTION

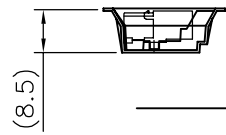
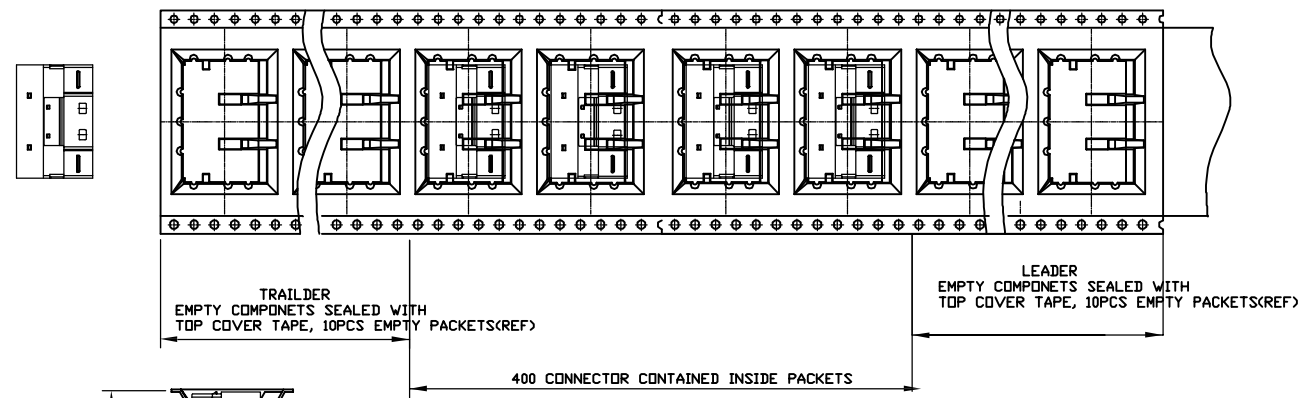


PACKING DIRECTION



DETAIL A
SCALE 2:1

CUSTOMER'S FEEDING DIRECTION



CUSTOMER'S FEEDING DIRECTION

包装出货出料方向

NOTE

1. NUMBER OF CONN: 400PCS/REEL
PACKING Q'TY: 2400PCS/CARTON
2. MATERIAL
CARRIER TAPE: PS OR PET
COVER TAPE: PET,PE,PEF
REEL: PS
3. GENERAL TOLERANCES:±0.2
4. HALOGEN FREE

GENERAL TOLERANCE		DWG.NO.	SS03-FW74-0600	PART.NO.	SS03-FW74-06XX	DRAWN	TONY 2022-04-28
x,±0.50	x. ± 5°	REV.	X1	TITLE	SLIMSAS 8X SOCKET R/A	CHECKED	
.x±0.25	.x ± 2°	SIZE		SHEET	1 OF 1	APPROVED	
.xx±0.15	.xx ± 1°	A4					

UNIT	mm	SCALE	1:1
东莞市欧联电子科技有限公司 DONGGUAN OLN ELECTRONICS TECHNOLOGY CO., LTD.			