

RoHS Compliant HF

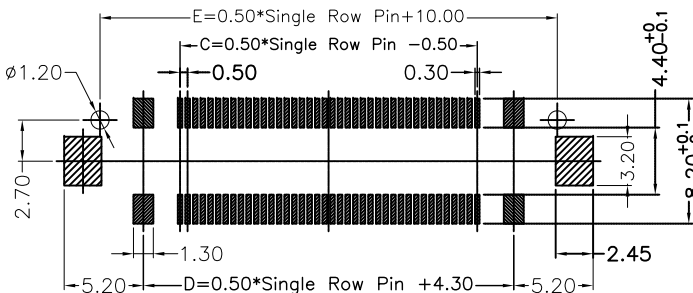
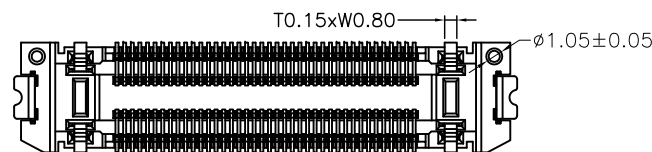
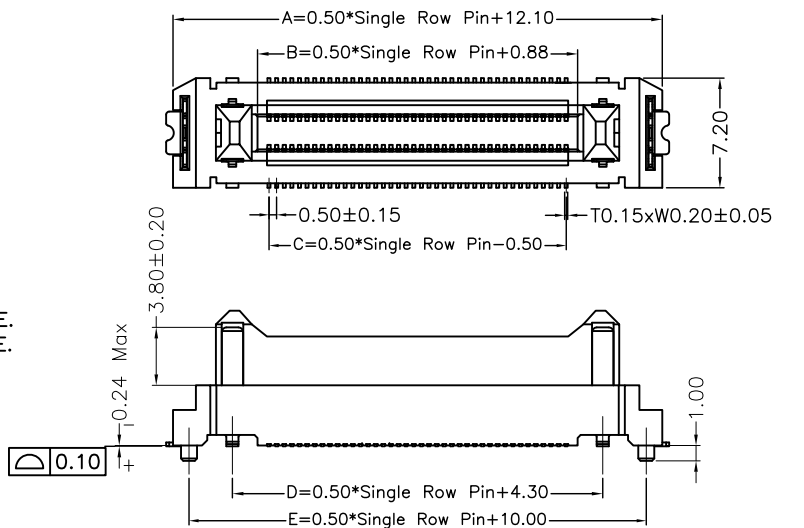
REV.	ECN.NO.	MODIFY.CONTENT
X1	2023-03-14	NEW

- NOTES:
- FINISH:
 - HOUSING: LCP BLACK,UL94V-0.
 - CONTACT: COPPER ALLOY, INTEGRAL NICKEL BASE 50u"MIN, CONTACT AND SOLDER FOOT AREA 3u"MIN
 - GROUND: BRASS, INTEGRAL NICKEL BASE 50u"MIN, 80u" MIN MATTE TIN PLATED OVER
 - ELECTRICAL:
 - RATED VOLTAGE: SIGNAL PIN AC 50 V.
POWER PIN AC 200 V.
 - CURRENT RATING: SIGNAL PIN 0.5A.
POWER PIN 5.0A.
 - DIELECTRIC WITHSTANDING VOLTAGE: SIGNAL PIN 150V AC/MINUTE.
POWER PIN 600V AC/MINUTE.
 - CONTACT RESISTANCE: SIGNAL PIN 120mΩ MAX.
POWER PIN 80mΩ MAX.
 - INSULATION RESISTANCE: SIGNAL PIN 100V DC/0.1S/100MΩ
POWER PIN 250V DC/0.1S/1000MΩ
 - SALT SPRAY TEST:
 - CONCENTRATION IS 5%, THE TEMPERATURE IS 35±2°C, TEST TIME 24H MIN,NO OXIDATION OR RUST
 - Max Processing Temp:265°C Seconds 40S
 - OPERATION TEMPERATURE:-40°C TO +125°C.
 - WARRANTY PERIOD: 6 MONTHS
 - ORDER INFORMATION:
FB01-050MXXXXXX4XX

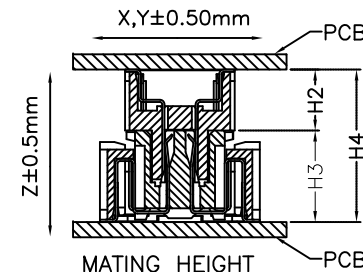
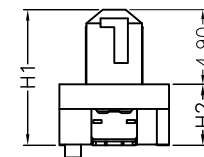
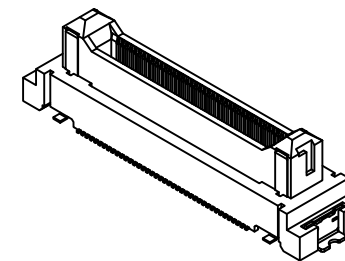
Pin 数码	塑胶高度:	11: Au 15u"
SEE TABLE	069=6.90mm ("H1")	12: Au 30u"
020=2x10PIN	089=8.90mm ("H1")	
~	109=10.90mm ("H1")	
120=2x60PIN		

TABLE:

No. OF PIN	A	B	C	D	E
020=2x10PIN	17.10	5.88	4.50	9.30	15.00
030=2x15PIN	19.60	8.38	7.00	11.80	17.50
040=2x20PIN	22.10	10.88	9.50	14.30	20.00
050=2x25PIN	24.60	13.38	12.00	16.80	22.50
060=2x30PIN	27.10	15.88	14.50	19.30	25.00
080=2x40PIN	32.10	20.88	19.50	24.30	30.00
100=2x50PIN	37.10	25.88	24.50	29.30	35.00
120=2x60PIN	42.10	30.88	29.50	34.30	40.00



RECOMMENDED PCB LAYOUT(TOP SIDE)
PCB BOARD TOLERANCE±0.05



MATING HEIGHT	H1	H2	H3	H4
8.0mm	6.90	2.00		8.00
10.0mm	8.90	4.00	6.00	10.00
12.0mm	10.90	6.00		12.00

GENERAL TOLERANCE	DWG.NO.	F B01-050MXXXXXX400	PART.NO.	F B01-050MXXXXXX4XX	DRAWN	Brian 2023-03-14
x.±0.50	REV.	X1	TITLE	浮动板对板0.5Pitch公座	CHECKED	
.x±0.25	SIZE		SHEET	1 OF 1	APPROVED	
.xx±0.15	A4					

OLN 东莞市欧联电子科技有限公司
DONGGUAN OLN ELECTRONICS TECHNOLOGY CO., LTD.