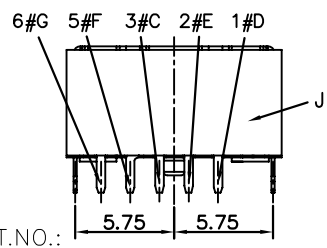
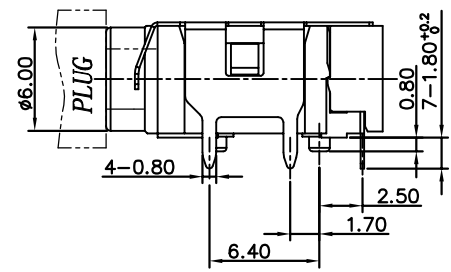
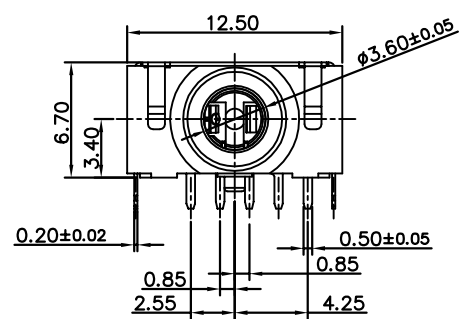


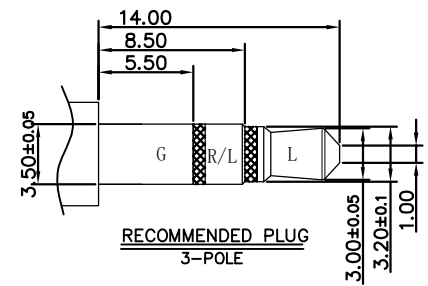
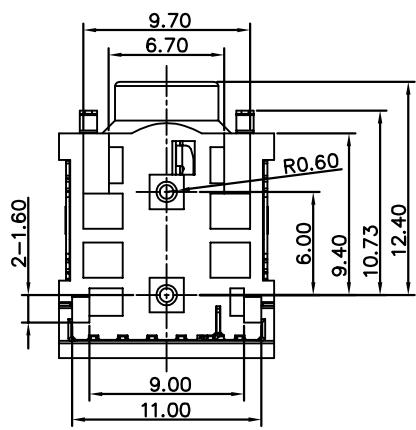
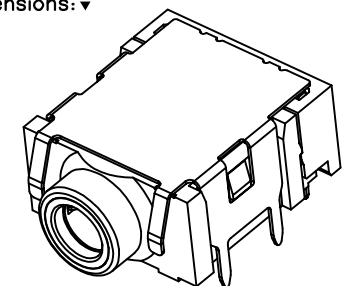
**SPECIFICATIONS:**

- ELECTRICAL CHARACTERISTICS:**
  - 1-1. RATING: 12V 1A
  - 1-2. CONTACT RESISTANCE: 50mΩ MAX.(INITIAL)
  - 1-3. DIELECTRIC WITHSTANDING VOLTAGE: 500V AC FOR ONE MINUTE.
  - 1-4. INSULATION RESISTANCE: 1000MΩ MIN. MEASURED BY 500 VDC.
- MECHANICAL CHARACTERISTICS:**
  - 2-1. INSERTION FORCE: 3.0Kgf Max ;
  - 2-2. WITHDRAWAL FORCE: 0.4Kgf Min;
  - 2-3. DURABILITY: 5000 CYCLES
3. AFTER LIFE TEST, CONTACT RESISTANCE: 100mΩ MAX.
4. PACKAGING : TAPE & REEL.
5. AFTER HUMIDITY TEST, INSULATION RESISTANCE: 50MΩ MIN.
6. PRODUCT COMPLIANT TO ROHS AND HALOGEN FREE.
- 7.critical dimensions:▼



PART.NO.: AJ096-BM401-\*\*-\*\*

- 42: 功能区刷镀金1U", 锡脚镀雾锡120u"Min
- 43: 功能区刷镀金3U", 锡脚镀雾锡120u"Min
- 44: 功能区刷镀金5U", 锡脚镀雾锡120u"Min
- 45: 功能区刷镀金10U", 锡脚镀雾锡120u"Min
- 46: 功能区刷镀金15U", 锡脚镀雾锡120u"Min
- 47: 功能区刷镀金30U", 锡脚镀雾锡120u"Min



ND.	PART NAME	QT'Y	MATERIAL	REMARK
J	COVER	1	HIGH TENP.THERMOPLASTIC UL94V-0	BLACK
I	SEPARATOR	1	HIGH TENP.THERMOPLASTIC UL94V-0	BLACK
H	SHELL	1	STEEL ALLOY	
G	6#- TERMINAL(TRANSFER)	1	COPPER ALLY	MATTE Sn 50u"ON THE SOLDER AREA, ALLOVER 50u" Ni Min
F	5#- TERMINAL(BREAK)	1		
E	2#- TERMINAL(RING)	1		
D	1#- TERMINAL(TIP)	1		
C	3#- TERMINAL(MIC)	1		
A	HOUSING(BODY)	1	HIGH TENP.THERMOPLASTIC UL94V-0	BLACK

X.± 0.20	X°± 5°	UNITS	mm	NAME(INTENDED USE)	oln <sup>o</sup> 东莞市欧联电子科技有限公司 DONGGUAN OLN ELECTRONICS TECHNOLOGY CO., LTD.		
.X± 0.15	.X°± 2°	MAT'L				PART NO.(INTENDED USE)	TITLE: ø3.5mm AUDIO JACK CONN(AJ096)
.XX± 0.08	.XX°± 1°	FINISH		APPD:	DWG NO.:		
.XXX± 0.05	.XXX°± 0.5°	Q'TY		CHKD:	AJ096-BM401-00		
THESE DRAWINGS AND SPECIFICATIONS ARE THE PROPERTY OF OLN ELECTRONICS TECHNOLOGY CO., LTD. AND SHALL NOT BE REPRODUCED, COPIED OR USED IN ANY MANNER WITHOUT THE PRIOR WRITTEN CONSENT OF OLN ELECTRONICS TECHNOLOGY CO., LTD.				DR: Qiang 2021-04-17	SCALE	SHEET	REV.
					1:1	1/2	A