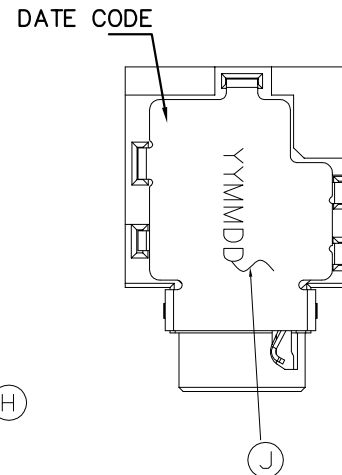
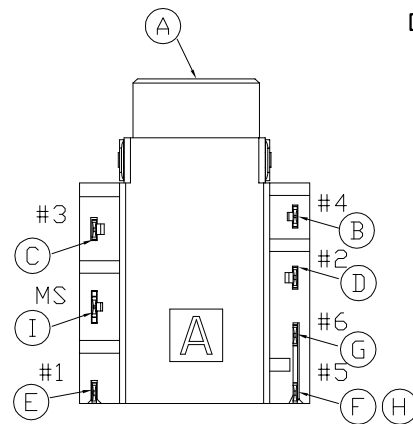
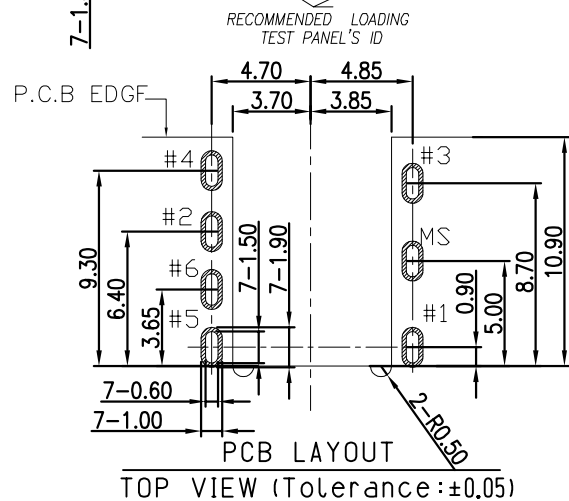
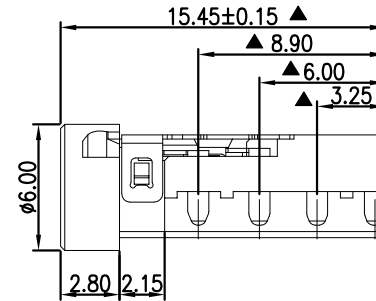
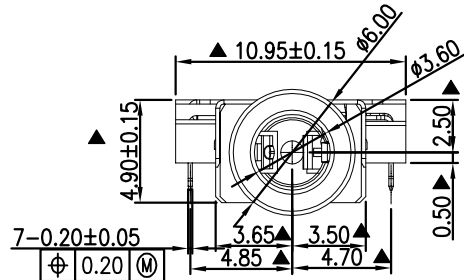
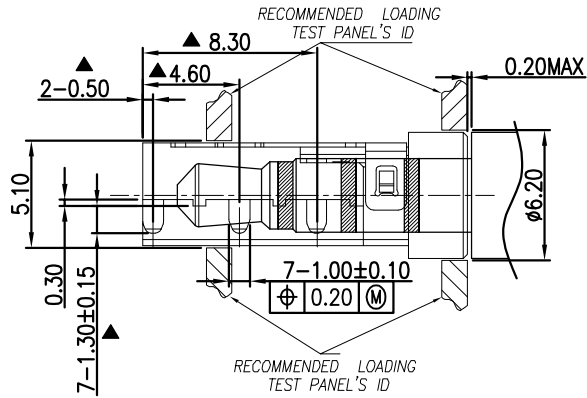


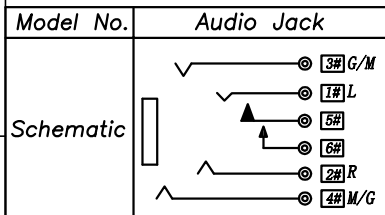
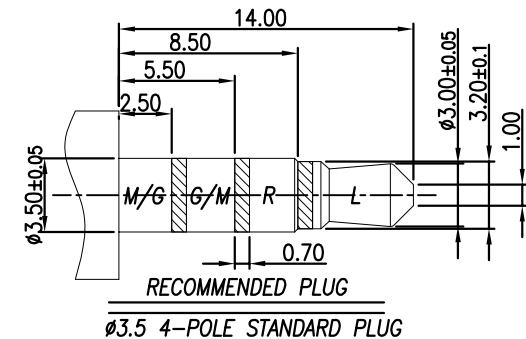
REV.	ECN.NO	MODIFY.CONTENT
A		初版发行
B	N23053132	更新包装规范



- 备注:
- 电性:
 - 1-接触阻抗: 30毫欧最大(初始)
50毫欧最大(测试后)
 - 1-2. 耐电压: 500V AC/1分钟
 - 1-3. 绝缘阻抗: 100兆欧最小/500V DC
 - 机械性能:
 - 2-1. 公头插入力: 1.0~2.5kgf
5000寿命后: 0.6~2.5kgf
10000寿命后: 0.4~2.0kgf
 - 2-2. 公头拔出力: 0.6~1.8kgf.
5000寿命后: 0.5~1.8kgf.
10000寿命后: 0.3~1.5kgf
 - 寿命测试: 10000次
 - 无铅回流焊制程
 - 回流焊锡热: 260±5°
 - 焊锡性: 95%最小
 - 操作温度: -40°~85°
 - “▲”为重点尺寸管控;
 - 符合环保ROHS要求

PART. NO. :
AJ103-BM401-**-**

- 08: 功能区镀金1U", 锡脚镀G/F
- 09: 功能区镀金3U", 锡脚镀G/F
- 10: 功能区镀金5U", 锡脚镀G/F
- 11: 功能区镀金10U", 锡脚镀G/F
- 12: 功能区镀金15U", 锡脚镀G/F
- 13: 功能区镀金30U", 锡脚镀G/F



NO.	PART NAME	QT'Y	MATERIAL	REMARK
I	SHELL	1	C2680 t=0.2mm	Ni 50u"MIN
H	6#- TERMINAL	1	C5210 t=0.2mm	GOLD (SEE P/N) ON CONTACT AREA ; GOLD FLASH ON SOLDER; ALL OVER 30u" NI.
G	5#- TERMINAL	1	C5210 t=0.2mm	
F	4#- TERMINAL	1	C5210 t=0.2mm	
E	3#- TERMINAL	1	C5210 t=0.2mm	
D	2#- TERMINAL	1	C5210 t=0.2mm	
C	1#- TERMINAL	1	C5210 t=0.2mm	
B	SEPERATE	1	HIGH TEMP.THERMOPLASTIC	BLACK
A	HOUSING	1	UL 94V-0	BLACK

X.± 0.20	X°± 5°	UNITS mm	NAME(INTENDED USE)	OLN® 东莞市欧联电子科技有限公司 DONGGUAN OLN ELECTRONICS TECHNOLOGY CO., LTD.
.X± 0.15	.X°± 2°	MAT'L	ø3.5mm AUDIO JACK CONN	
.XX± 0.08	.XX°± 1°	FINISH	PART NO.(INTENDED USE)	TITLE:
.XXX± 0.05	.XXX°± 0.5°		AJ103-BM401-**-**	ø3.5mm AUDIO JACK CONN(AJ103)
THESE DRAWINGS AND SPECIFICATIONS ARE THE PROPERTY OF OLN ELECTRONICS TECHNOLOGY CO., LTD. AND SHALL NOT BE REPRODUCED COPIED OR USED IN ANY MANNER WITHOUT THE PRIOR WRITTEN CONSENT OF OLN ELECTRONICS TECHNOLOGY CO., LTD.			APPD:	DWG NO.:
			CHKD:	AJ103-BM401-00
			DR: Amin 2023-05-31	SCALE
				SHEET
				REV.
				1:1
				1/2
				B