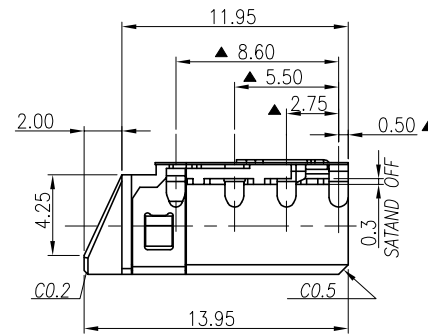
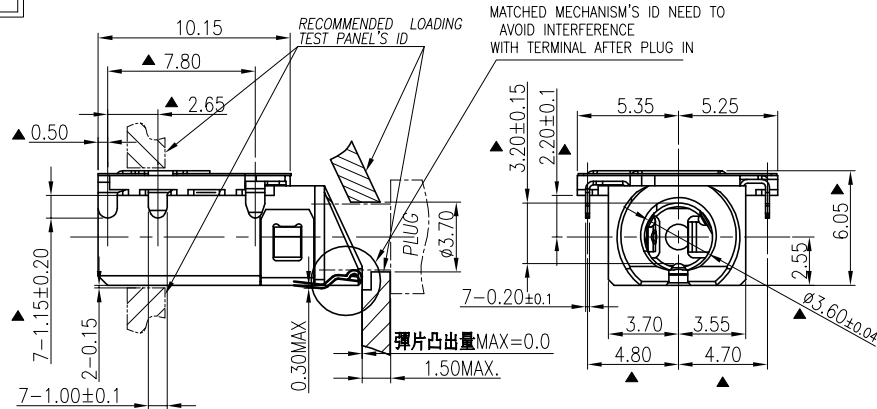
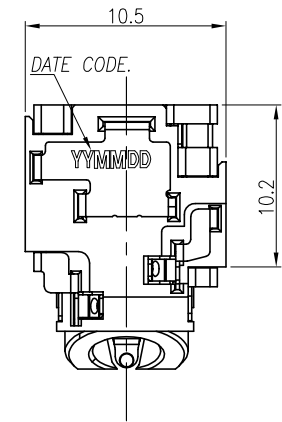
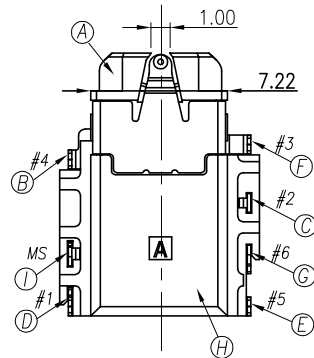
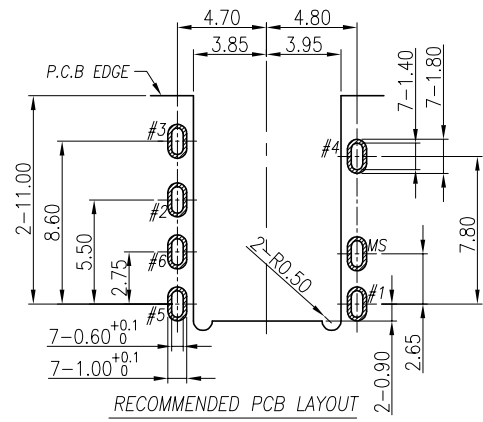


REV.	ECN.NO	MODIFY.CONTENT
A		初版发行
B		修正图面与实物相符

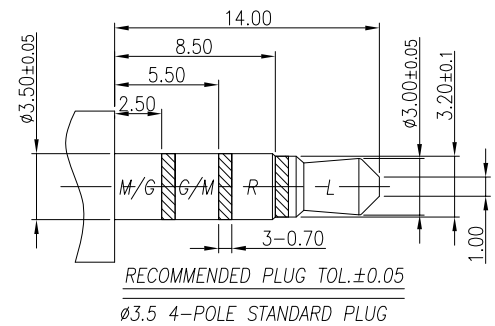
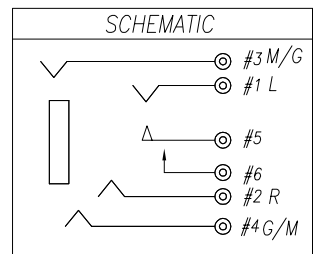


- 备注:
- 电性:
 - 1-1 接触阻抗: 50毫欧最大(初始)
100毫欧最大(测试后)
 - 1-2 耐电压: 500V AC/1分钟
 - 1-3 绝缘阻抗: 100兆欧最小/500V DC
 - 机械性能:
 - 2-1 公头插入力: 0.3~3.0kgf
 - 2-2 公头拔出力: 0.3~3.0kgf.
 - 寿命测试: 5000次
 - 无铅回流焊制程
 - 回流焊锡热: 260±5°
 - 焊锡性: 95%最小
 - 操作温度: -40°~85°
 - "▲" 为重点尺寸管控;
 - 符合环保ROHS要求



PART NO. :
AJ121-BM401-**

- 功能区镀金1U", 锡脚镀雾纯锡至少100U"Min
- 功能区镀金3U", 锡脚镀雾纯锡至少100U"Min
- 功能区镀金5U", 锡脚镀雾纯锡至少100U"Min
- 功能区镀金10U", 锡脚镀雾纯锡至少100U"Min
- 功能区镀金15U", 锡脚镀雾纯锡至少100U"Min
- 功能区镀金30U", 锡脚镀雾纯锡至少100U"Min



X.± 0.20	X°± 5°	UNITS	mm
.X± 0.15	.X°± 2°	MAT'L	
.XX± 0.08	.XX°± 1°	FINISH	
.XXX± 0.05	.XXX°± 0.5°	Q'TY	
THESE DRAWINGS AND SPECIFICATIONS ARE THE PROPERTY OF OLN ELECTRONICS TECHNOLOGY CO., LTD. AND SHALL NOT BE REPRODUCED, COPIED OR USED IN ANY MANNER WITHOUT THE PRIOR WRITTEN CONSENT OF OLN ELECTRONICS TECHNOLOGY CO., LTD.			

I	SHELL	1	C2680-H 0.20T	Ni 60u"Min.
H	SEPARATOR	1	LCP E130i+30%GF, UL 94V-0	BLACK
G	MAKE TERMINAL	1	C5210-EH, 0.2T	GOLD FLASH ON CONTACT AREA; GOLD FLASH ON SOLDER AREA; ALL OVER 50u" Ni.
F	EARTH	1	C5210-EH, 0.2T	
E	TRANSFER TERMINAL	1	C5210-EH, 0.2T	
D	TIP SPRING	1	C5210-EH, 0.2T	GOLD FLASH ON CONTACT AREA; Matte Sn120u" ON SOLDER AREA; ALL OVER 50u" Ni.
C	RING A	1	C5210-EH, 0.2T	
B	RING B	1	C5210-EH, 0.2T	
A	BODY	1	PA4T+30% GF (TX1) UL 94V-0	BLACK
NO	DESCRIPTION	QTY	MATERIAL	PLATING & COLOR

NAME(INTENDED USE)	东莞市欧联电子科技有限公司 DONGGUAN OLN ELECTRONICS TECHNOLOGY CO., LTD.		
PART NO.(INTENDED USE)	TITLE: Ø3.5mm AUDIO JACK CONN(AJ121)		
APPD:	DWG NO.: AJ121-BM401-00		
CHKD:	SCALE SHEET REV. 1:1 1/2 B		
DR: CHENEY 2022-05-14			