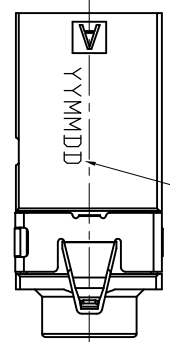
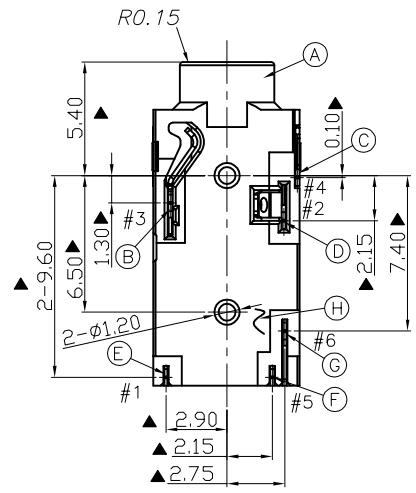
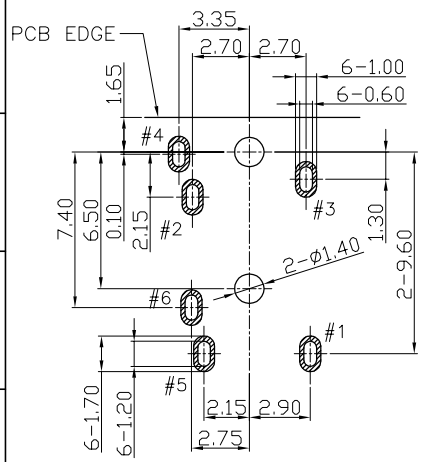
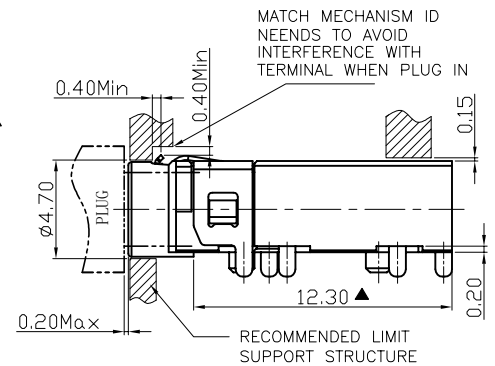
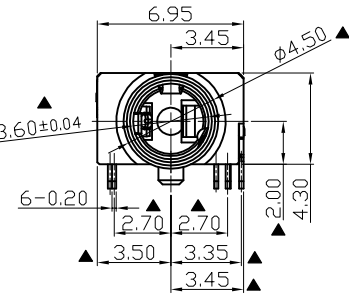
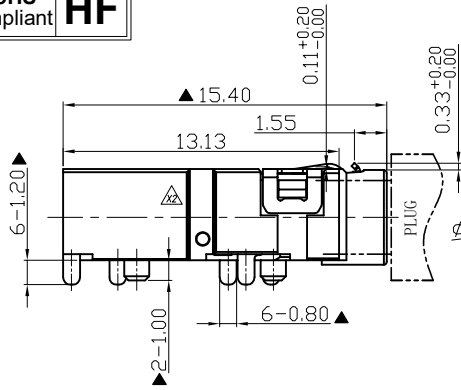
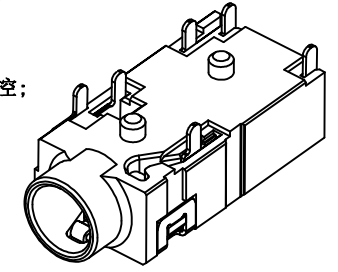


RoHS Compliant **HF**

REV.	ECN.NO	MODIFY.CONTENT
X1		初版发行
X2		更新图面与实物相符
A		转正式版发行



- 备注:**
- 电性:**
 - 1-1接触阻抗: 50毫欧最大(初始), 100毫欧最大(测试后).
 - 1-2. 耐电压: 500V AC/1分钟.
 - 1-3. 绝缘阻抗: 100兆欧最小/500V DC.
 - 1-4. 额定电压/电流: 12V/1A.
 - 机械性能:**
 - 2-1. 公头插入力: 0.8~3.0kgf (初始), 2.5kgf最大(测试后)
 - 2-2. 公头拔出力: 0.6~1.8kgf (初始), 0.5kgf最小(测试后)
 - 寿命测试: 5000次.**
 - 无铅回流焊制程**
 - 回流焊锡热: 260±5°**
 - 焊锡性: 95%最小**
 - 操作温度: -40°~85°**
 - “▲”为重点尺寸管控;**
 - 符合环保ROHS要求**

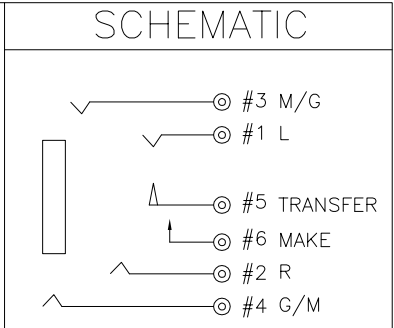
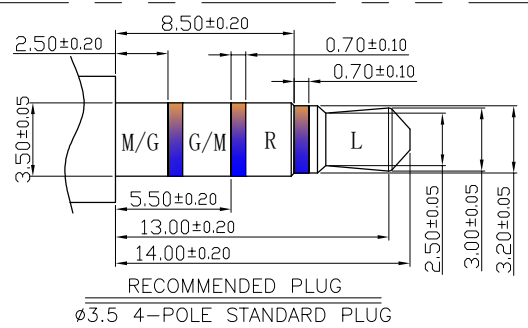


PART. NO:
AJ156-BM401-**

- 42: 功能区镀金1U", 锡脚镀雾纯锡至少120U"Min
- 43: 功能区镀金3U", 锡脚镀雾纯锡至少120U"Min
- 44: 功能区镀金5U", 锡脚镀雾纯锡至少120U"Min
- 45: 功能区镀金10U", 锡脚镀雾纯锡至少120U"Min
- 46: 功能区镀金15U", 锡脚镀雾纯锡至少120U"Min
- 47: 功能区镀金30U", 锡脚镀雾纯锡至少120U"Min

RECOMMENDED P.C.B LAYOUT
TOP VIEW (TOLRANCE:±0.05)

H	SEPARATOR	1	HIGH TEMP.THERMOPLASTIC UL 94V-0	BLACK
G	MAKE TERMINAL	1	C5210-EH, 0.2T	GOLD ON CONTACT AREA G/F ON SOLDER TAIL ALL OVER 50u"Min Ni
F	TRANSFER TERMINAL	1	C5210-EH, 0.2T	GOLD ON CONTACT AREA G/F ON SOLDER TAIL ALL OVER 50u"Min Ni
E	TERMINAL-1	1	SUS304-1/2H, 0.2T	Au 1u" ON CONTACT AREA
D	TERMINAL-2	1	C5210-EH, 0.2T	MATTE SN 120u" MIN. ON SOLDER TAIL
C	TERMINAL-4	1	C5210-EH, 0.2T	ALL OVER Ni 50u"Min. UNDER PLATED
B	TERMINAL-3	1	C5210-EH, 0.2T	
A	HOUSING	1	HIGH TEMP.THERMOPLASTIC UL 94V-0	BLACK
NO	DESCRIPTION	QTY	MATERIAL	PLATING & COLOR



X.±0.20	X°± 5°	UNITS	MM
.X±0.15	.X°± 2°	MAT'L	
.XX±0.08	.XX°± 1°	FINISH	
.XXX±0.05	.XXX°± 0.5°	Q'TY	

THESE DRAWINGS AND SPECIFICATIONS ARE THE PROPERTY OF OLN ELECTRONICS TECHNOLOGY CO., LTD. AND SHALL NOT BE REPRODUCED, COPIED OR USED IN ANY MANNER WITHOUT THE PRIOR WRITTEN CONSENT OF OLN ELECTRONICS TECHNOLOGY CO., LTD.

NAME(INTENDED USE)
φ3.5mm AUDIO JACK CONN

PART NO.(INTENDED USE)
AJ156-BM401-**

APPD:

CHKD:

DR: CHENEY 2022.03.19

oln 东莞市欧联电子科技有限公司
DONGGUAN OLN ELECTRONICS TECHNOLOGY CO., LTD.

TITLE: SINGLE AUDIO JACK 4 POLE
TOP-MOUNT CH=2.00mm

DWG NO.: AJ156-BM401-42

SCALE	SHEET	REV.
1:1	1/2	A