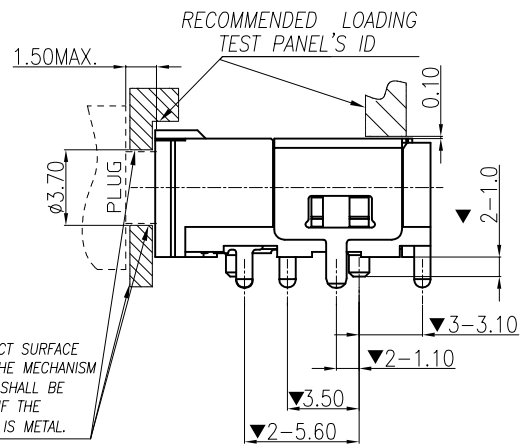
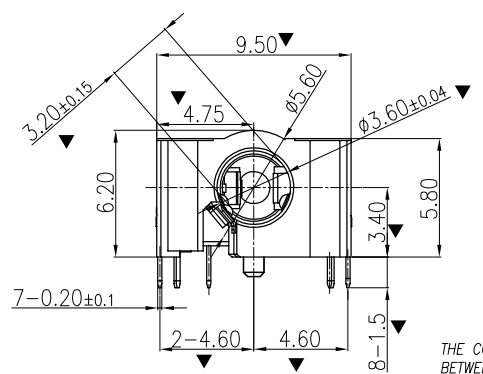
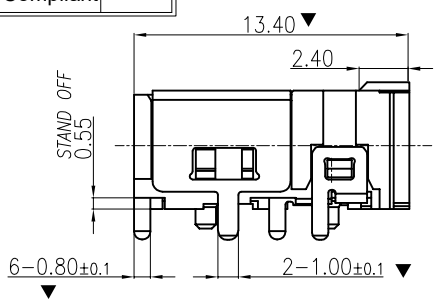
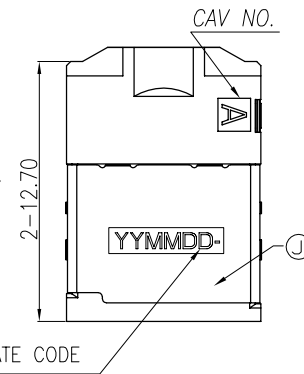
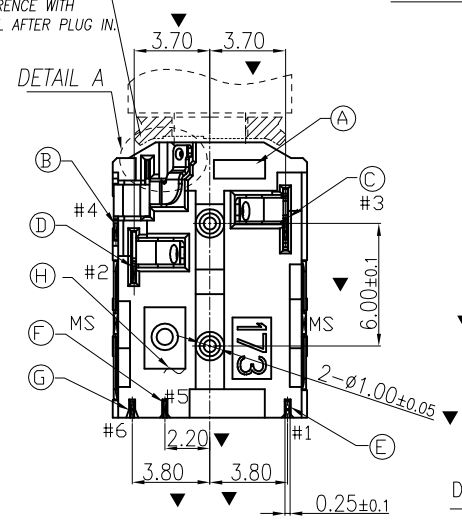
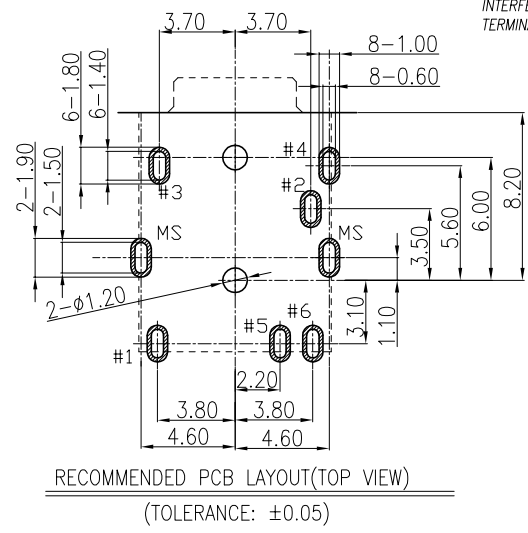


RoHS Compliant HF

REV.	ECN.NO	MODIFY.CONTENT
X1		初版发行
A		转正式版发行



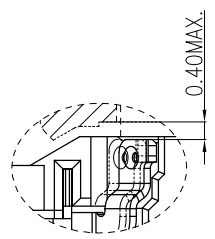
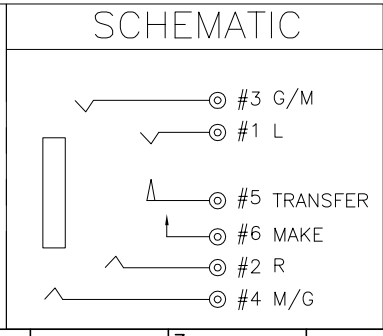
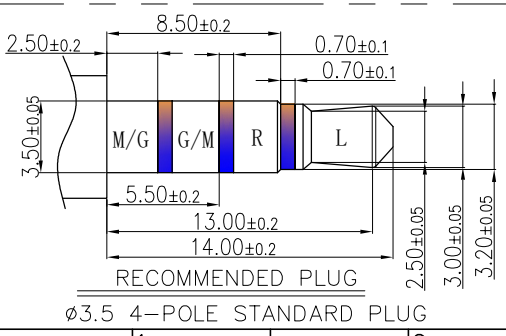
- SPECIFICATIONS:
- ELECTRICAL CHARACTERISTICS:
 - RATING: 12V 1A
 - CONTACT RESISTANCE: 50mΩ MAX.(INITIAL).
 - DIELECTRIC WITHSTANDING VOLTAGE: 500V AC FOR ONE MINUTE.
 - INSULATION RESISTANCE: 100MΩ MIN. MEASURED BY 500 VDC.
 - MECHANICAL CHARACTERISTICS:
 - INITIAL: INSERTION FORCE: 0.8 - 3.0Kgf. WITHDRAWAL FORCE: 0.6 - 1.8Kgf.
 - FINAL: INSERTION FORCE: 2.5Kgf. MAX. WITHDRAWAL FORCE: 0.5Kgf. MIN.
 - LIFE TEST: 2,000 CYCLES . AFTER LIFE TEST, CONTACT RESISTANCE: 100mΩ MAX.
 - PACKAGING : TAPE & REEL.
 - PRODUCT COMPLIANT TO ROHS AND HALOGEN FREE.
 - CRITICAL DIMENSIONS: ▼



PART NO: AJ173-BM401-**-**

- 42: 功能区镀金1U", 锡脚镀雾纯锡至少100U"Min
- 43: 功能区镀金3U", 锡脚镀雾纯锡至少100U"Min
- 44: 功能区镀金5U", 锡脚镀雾纯锡至少100U"Min
- 45: 功能区镀金10U", 锡脚镀雾纯锡至少100U"Min
- 46: 功能区镀金15U", 锡脚镀雾纯锡至少100U"Min
- 47: 功能区镀金30U", 锡脚镀雾纯锡至少100U"Min

NO.	DESCRIPTION	QTY	MATERIAL	REMARK
J	SHELL	1	SUS304-1/2H,0.20T	60U"MIN. Nickel Plating
H	SEPARATOR	1	LCP E130I,UL94V-0	Black
G	TRANSFER SPRING	1	C5210-EH, 0.20T	Au1~3u" On Contact Area, Au1u"MIN. On Solder Tail Area, Nickel 50u"MIN. Under Plated
F	MAKE terminal	1	C5210-EH, 0.20T	Au1~3u" On Contact Area, Matte TIN ON Solder Tail Area, Nickel 50u"MIN. Under Plated
E	TIP SPRING	1	SUS304-1/2H, 0.25T	Au1~3u" On Contact Area, Matte TIN 100u" MIN. on Solder Tail Area, All over Nickel Plated
D	RING-A	1	C5210-EH, 0.20T	Au1~3u" On Contact Area, Matte TIN ON Solder Tail Area, Nickel 50u"MIN. Under Plated
C	RING-B	1	C5210-EH, 0.20T	Au1~3u" On Contact Area, Matte TIN ON Solder Tail Area, Nickel 50u"MIN. Under Plated
B	EARTH	1	C5210-EH, 0.20t	Au1~3u" On Contact Area, Au1u"MIN. On Solder Tail Area, Nickel 50u"MIN. Under Plated
A	BODY	1	PA9T+45%GF UL94V-0	Black



DETAIL A		SCALE 2:1		UNITS		NAME(INTENDED USE)	
X. ±0.15	X° ± 5°	MAT'L	UNITS	φ3.5mm AUDIO JACK CONN			
.XX ± 0.08	.X° ± 2°	FINISH	Q'TY	PART NO.(INTENDED USE)			
.XXX ± 0.05	.xxx° ± 0.5°			AJ173-BM401-**-**			
THESE DRAWINGS AND SPECIFICATIONS ARE THE PROPERTY OF OLN ELECTRONICS TECHNOLOGY CO., LTD. AND SHALL NOT BE REPRODUCED, COPIED OR USED IN ANY MANNER WITHOUT THE PRIOR WRITTEN CONSENT OF OLN ELECTRONICS TECHNOLOGY CO., LTD.				APPD:			
				CHKD:			
				DR: Amin 2023-10-20			

oln^o 东莞市欧联电子科技有限公司
DONGGUAN OLN ELECTRONICS TECHNOLOGY CO., LTD.

TITLE: SINGLE AUDIO JACK 4 POLE TOP-MOUNT CH=3.40mm

DWG NO.: AJ173-BM401-42

SCALE	SHEET	REV.
1:1	1/2	A