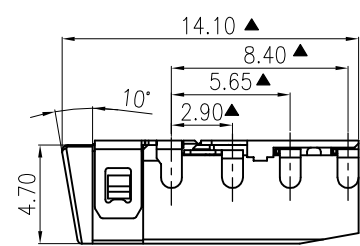
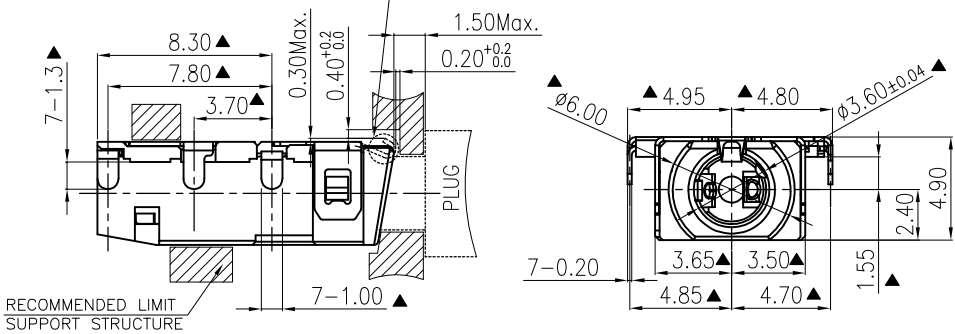


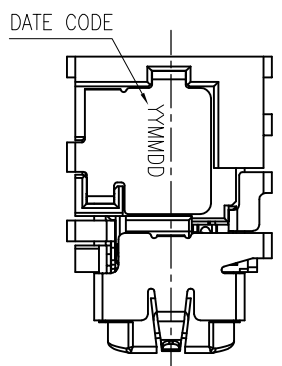
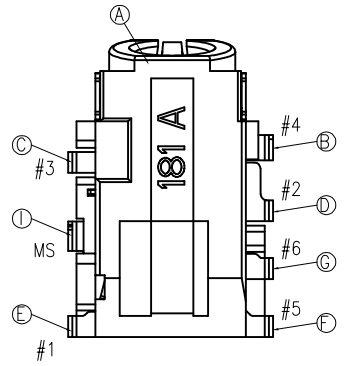
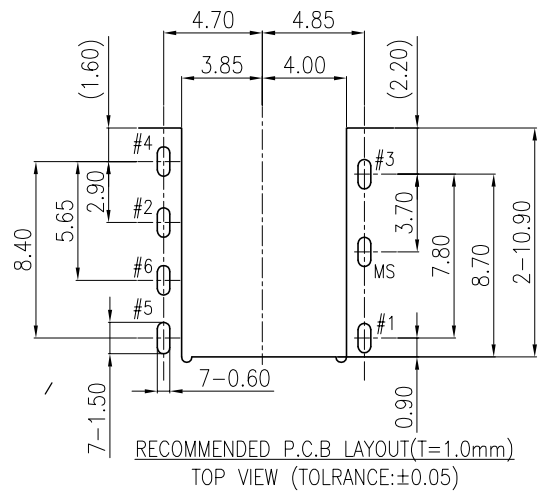
RoHS Compliant **HF**

REV.	ECN.NO	MODIFY.CONTENT
X1		初版发行
A		正式版发行

MATCH MECHANISM ID NEEDS TO AVOID INTERFERENCE WITH TERMINAL WHEN PLUG IN

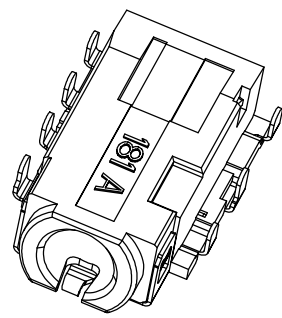
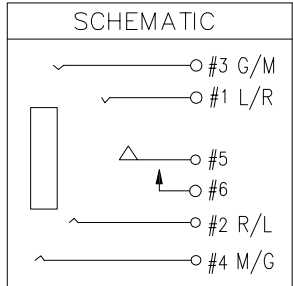
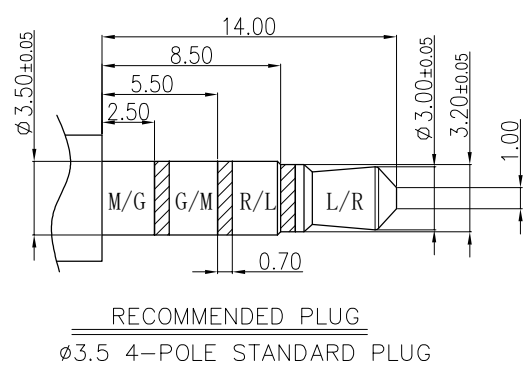


- SPECIFICATIONS:
- ELECTRICAL CHARACTERISTICS:
    - CURRENT RATING:1A MAX.
    - VOLTAGE RATING:12V.
    - CONTACT RESISTANCE:50mΩMAX.(INITIAL).
    - INSULATION RESISTANCE:100mΩMAX.(AFTER LIFE TEST).
    - WITHSTANDING VOLTAGE: 500VAC FOR ONE MINUTE.
  - MECHANICAL CHARACTERISTICS:100mQ MIN. AT 500V DC
    - INSERTION FORCE: 3.0KGF MAX.
    - WITHDRAWAL FORCE: 0.4KGF MIN.
    - LIFE TEST: 5,000 CYCLES.
  - PRODUCT COMPLIANT TO ROHS AND HALOGEN FREE.
  - CRITICAL DIMENSIONS: ▼



PART. NO:  
**AJ181-BM401-\*\*-\*\***

- 42: 功能区镀金1U", 锡脚镀雾纯锡至少100U"Min
- 43: 功能区镀金3U", 锡脚镀雾纯锡至少100U"Min
- 44: 功能区镀金5U", 锡脚镀雾纯锡至少1100U"Min
- 45: 功能区镀金10U", 锡脚镀雾纯锡至少100U"Min
- 46: 功能区镀金15U", 锡脚镀雾纯锡至少100U"Min
- 47: 功能区镀金30U", 锡脚镀雾纯锡至少100U"Min



I	Shell	1	Stainless Steel, 0.20t	Nickel Plated
H	Separator	1	HIGH TEMPERATURE PLASTIC	Black
G	Shunt terminal	1	Phosphor bronze, 0.20t	Gold Flash On Contact And Solder Tail Area, Nickel UnderPlated
F	Transfer Spring	1	Phosphor bronze, 0.20t	
E	Tip spring	1	Stainless Steel, 0.20t	G/F On Contact Area, 100u" Matte-Tin Plating on Solder Tail Area, All over Nickel Plated
D	Ring -A	1	Phosphor bronze, 0.20t	
C	Ring-B	1	Phosphor bronze, 0.20t	
B	Earth spring	1	Phosphor bronze, 0.20t	
A	Housing	1	HIGH TEMPERATURE PLASTIC	Black
NO.	DESCRIPTION	QTY	MATERIAL	REMARK

X.±0.20	X°± 5°	UNITS	UNITS	NAME(INTENDED USE)
.X±0.15	.X°± 2°	MAT'L		ø3.5mm AUDIO JACK CONN
.XX±0.08	.XX°± 1°	FINISH		PART NO.(INTENDED USE)
.XXX±0.05	.XXX°± 0.5°			AJ181-BM401-**-**
THESE DRAWINGS AND SPECIFICATIONS ARE THE PROPERTY OF OLN ELECTRONICS TECHNOLOGY CO., LTD. AND SHALL NOT BE REPRODUCED, COPIED OR USED IN ANY MANNER WITHOUT THE PRIOR WRITTEN CONSENT OF OLN ELECTRONICS TECHNOLOGY CO., LTD.				APPD:
				CHKD:
				DR: Amin 2024-03-20
				Q'TY

**oln** 东莞市欧联电子科技有限公司  
DONGGUAN OLN ELECTRONICS TECHNOLOGY CO., LTD.

TITLE: SINGLE AUDIO JACK 4 POLE TOP-MOUNT CH=3.40mm

DWG NO.: AJ181-BM401-00

SCALE	SHEET	REV.
1:1	1/2	A