

RoHS Compliant HF

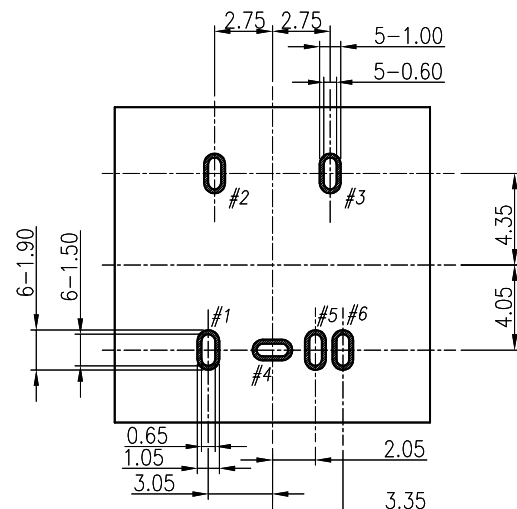
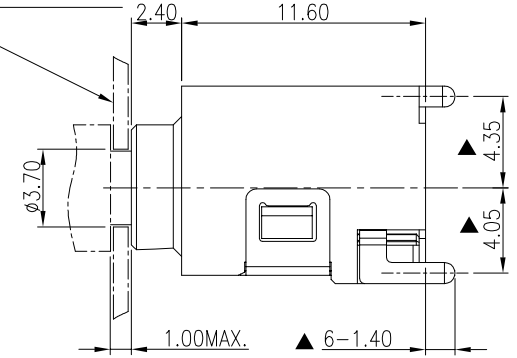
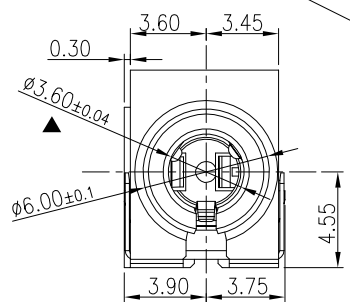
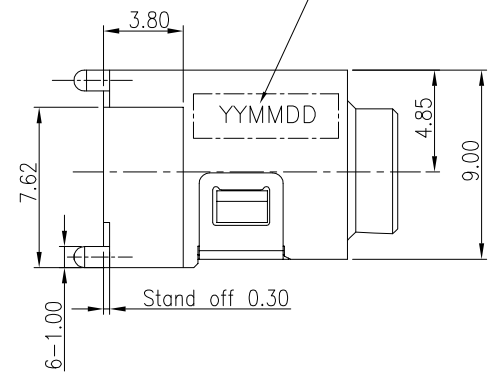
DATE CODE

YYMMDD

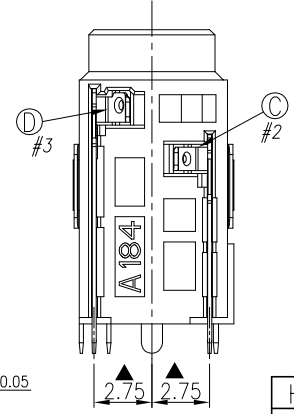
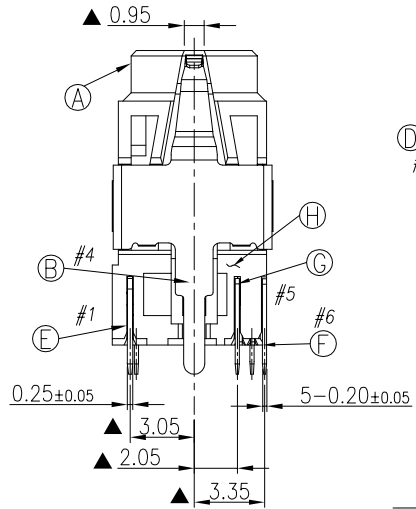
MATCH MECHANISM ID NEEDS TO AVOID INTERFERENCE WITH TERMINAL WHEN PLUG IN

REV.	ECN.NO	MODIFY.CONTENT
X1		初版发行
A		转正式版发行

- SPECIFICATIONS:
- ELECTRICAL CHARACTERISTICS:
    - CURRENT RATING:1A MAX.
    - VOLTAGE RATING:12 VDC.
    - CONTACT RESISTANCE:50mΩMAX.(INITIAL), 100mΩMAX.(AFTER LIFE TEST).
    - INSULATION RESISTANCE:100MΩ MIN. AT 500V DC
    - WITHSTANDING VOLTAGE: 500VAC FOR ONE MINUTE.
  - MECHANICAL CHARACTERISTICS:
    - INSERTION FORCE: 0.5~3.0KGF MAX.
    - WITHDRAWAL FORCE: 0.5~3.0KGF MIN.
    - LIFE TEST: 5,000 CYCLES.
  - PRODUCT COMPLIANT TO ROHS AND HALOGEN FREE.
  - PACKING : TAPE & REEL.
  - CRITICAL DIMENSIONS:▲

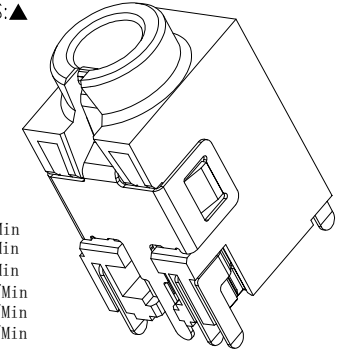


RECOMMENDED PCB LAYOUT  
TOP VIEW ; TOL.±0.05



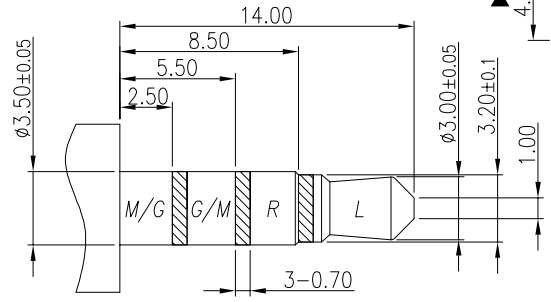
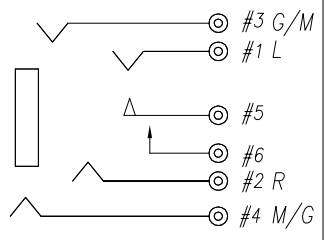
PART NO. :  
AJ184-BM401-\*\*-\*\*

- 42: 功能区镀金1U", 锡脚镀雾纯锡100U"Min
- 43: 功能区镀金3U", 锡脚镀雾纯锡100U"Min
- 44: 功能区镀金5U", 锡脚镀雾纯锡100U"Min
- 45: 功能区镀金10U", 锡脚镀雾纯锡100U"Min
- 46: 功能区镀金15U", 锡脚镀雾纯锡100U"Min
- 47: 功能区镀金30U", 锡脚镀雾纯锡100U"Min



NO	DESCRIPTION	QTY	MATERIAL	PLATING & COLOR
H	SEPARATOR	1	LCP E130I,UL94V-0	Black
G	TRANSFER SPRING	1	C5210-EH, 0.20T	G/F On Contact Area, G/F ON Solder Tail Area, Nickel 50u"MIN. Under Plated
F	MAKE terminal	1	C5210-EH, 0.20T	
E	TIP SPRING	1	SUS304-1/2H, 0.25T	
D	RING-B	1	C5210-EH, 0.20T	G/F On Contact Area, MATTE TIN On Solder Tail Area, Nickel 50u"MIN. Under Plated
C	RING-A	1	C5210-EH, 0.20T	
B	EARTH	1	C5210-EH, 0.20t	
A	BODY	1	PA9T GP2450NH UL94V-0	Black

SCHEMATIC



RECOMMENDED PLUG(±0.05)  
Ø3.5 4-POLE STANDARD PLUG

X.±0.20	X°± 5°	UNITS	UNITS	NAME(INTENDED USE)
.X±0.15	.X°± 2°	MAT'L		Ø3.5mm AUDIO JACK CONN
.XX±0.08	.XX°± 1°			PART NO.(INTENDED USE)
.XXX±0.05	.xxx°± 0.5°	FINISH		AJ184-BM401-**-**
THESE DRAWINGS AND SPECIFICATIONS ARE THE PROPERTY OF OLN ELECTRONICS TECHNOLOGY CO., LTD. AND SHALL NOT BE REPRODUCED, COPIED OR USED IN ANY MANNER WITHOUT THE PRIOR WRITTEN CONSENT OF OLN ELECTRONICS TECHNOLOGY CO., LTD.				APPD:
				CHKD:
				DR: Amin 2023-02-22
				Q'TY

oln 东莞市欧联电子科技有限公司  
DONGGUAN OLN ELECTRONICS TECHNOLOGY CO., LTD.

TITLE: SINGLE AUDIO JACK 4 POLE		
DWG NO.: AJ184-BM401-42		
SCALE	SHEET	REV.
1:1	1/2	A