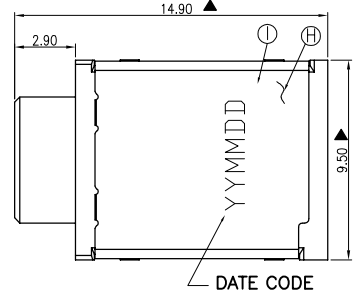
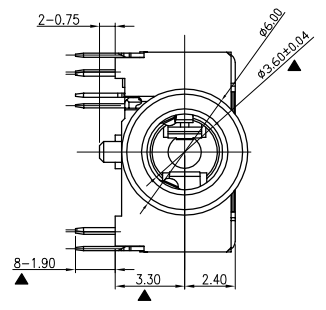
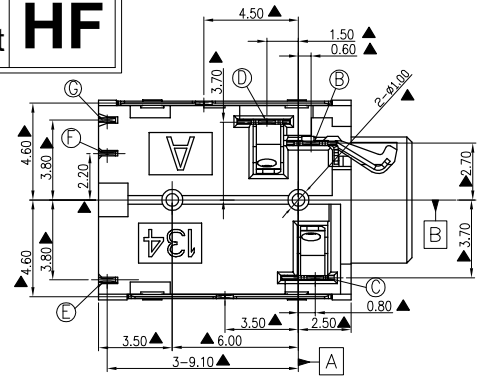
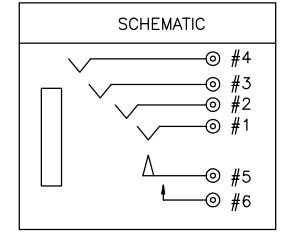
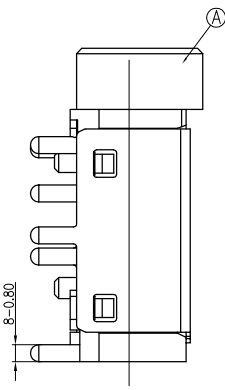
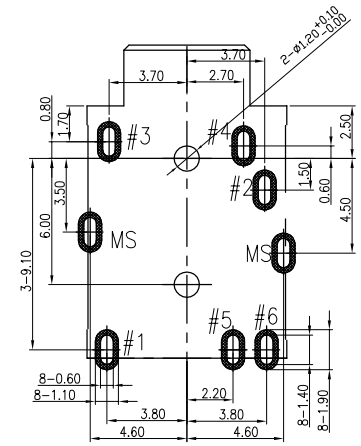


RoHS Compliant **HF**

REV.	ECN.NO	MODIFY.CONTENT
A		初版发行



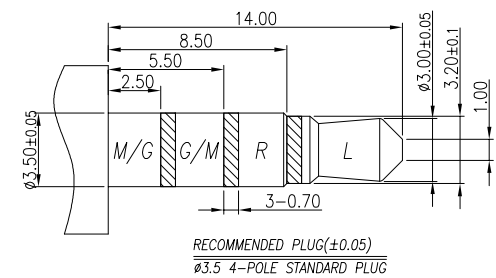
SPECIFICATION:
1.Electrical characteristics
 1.1.Current rating: 1A max.
 1.2.Voltage rating: 12V.
 1.3.Contact resistance: ≤50mΩ(Initial)
 After lift test: ≤100mΩ
 1.4.Insulation resistance:
 100MΩ min. at 500V DC.
 1.5.Withstanding voltage:
 500V AC for 1 minute.
2.Mechanical characteristics
 2.1.Life test:5000 cycles min,
 2.2.Before Life test:Insertion Force: 0.3kgf~3.0kgf;
 Extraction Force: 0.3kgf~3.0kgf;
3.Product compliant to ROHS and Halogen Free.
4. critical dimensions:▼



**PCB LAYOUT
TOP VIEW (Tolerance:±0.05)**

PART. NO. :
AJ134-BM401-***

- 42: 功能区镀金1U", 锡脚镀雾纯锡100U"Min
- 43: 功能区镀金3U", 锡脚镀雾纯锡100U"Min
- 44: 功能区镀金5U", 锡脚镀雾纯锡100U"Min
- 45: 功能区镀金10U", 锡脚镀雾纯锡100U"Min
- 46: 功能区镀金15U", 锡脚镀雾纯锡100U"Min
- 47: 功能区镀金30U", 锡脚镀雾纯锡100U"Min



X.± 0.20	X°± 5°	UNITS	mm
.X± 0.15	.X°± 2°	MAT'L	
.XX± 0.08	.XX°± 1°	FINISH	
.XXX± 0.05	.XXX°± 0.5°		
THESE DRAWINGS AND SPECIFICATIONS ARE THE PROPERTY OF OLN ELECTRONICS TECHNOLOGY CO., LTD. AND SHALL NOT BE REPRODUCED, COPIED OR USED IN ANY MANNER WITHOUT THE PRIOR WRITTEN CONSENT OF OLN ELECTRONICS TECHNOLOGY CO., LTD.		Q'TY	

I	SHELL	1	BRASS 0.2T	ALL OVER Ni 50u" MIN. PLATING.
H	SEPARATE	1	LCP E130+30%GF UL94-V0	BLACK
G	CONTACT #6	1	COPPER ALLOY 0.2T	GOLD FLASH ON CONTACT AREA, MATTE TIN 120u" ON SOLDER TAIL, ALL OVER Ni 50u" MIN. PLATING.
F	CONTACT #5	1	COPPER ALLOY 0.2T	GOLD LASH ON CONTACT AREA, G/F ON SOLDER TAIL, ALL OVER Ni 50u" MIN. PLATING.
E	CONTACT #1	1	SUS 0.25T	GOLD FLASH ON CONTACT AREA, MATTE TIN 120u" ON SOLDER TAIL, ALL OVER Ni 50u" MIN. PLATING.
D	CONTACT #2	1	COPPER ALLOY 0.2T	
C	CONTACT #3	1	COPPER ALLOY 0.2T	
B	CONTACT #4	1	COPPER ALLOY 0.2T	
A	HOUSING	1	High temperature material	BLACK
NO	DESCRIPTION	QTY	MATERIAL	PLATING & COLOR

NAME(INTENDED USE)	东莞市欧联电子科技有限公司 DONGGUAN OLN ELECTRONICS TECHNOLOGY CO., LTD.		
PART NO.(INTENDED USE)	TITLE: ø3.5mm AUDIO JACK CONN(AJ134)		
APPD:	DWG NO.: AJ134-BM401-00		
CHKD:	DR: Qiang 2021-05-17	SCALE	SHEET
		1:1	1/2
			REV. A