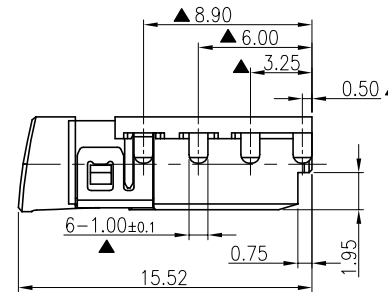
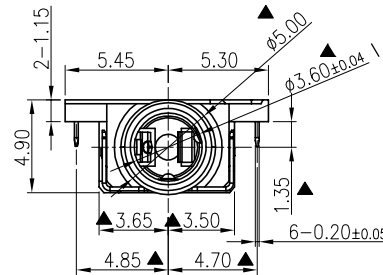
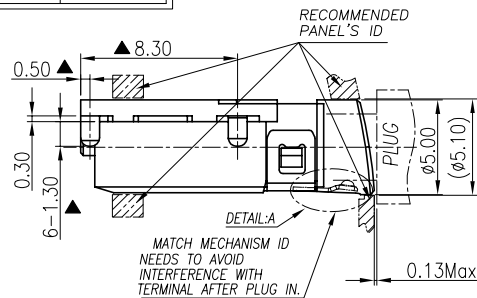


**RoHS Compliant HF**

REV.	ECN.NO	MODIFY.CONTENT
X1		初版发行
A		转正式版发行



备注:

1. 电性:

1-1 接触阻抗: 50毫欧最大(初始)  
100毫欧最大(测试后)

1-2 耐电压: 500V AC/1分钟

1-3 绝缘阻抗: 100兆欧最小/500V DC

2. 机械性能:

2-1 公头插入力: 0.8~3.0kgf

5000寿命后: 2.5kgf最大

2-2 公头拔出力: 0.6~1.8kgf,

5000寿命后: 0.5kgf最小

3. 寿命测试: 5000次

4. 无铅回流焊制程

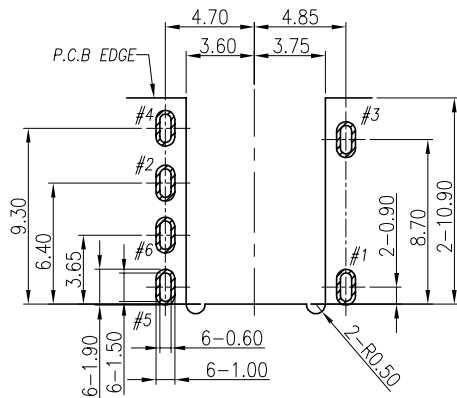
5. 回流焊锡热: 260±5°

6. 焊锡性: 95%最小

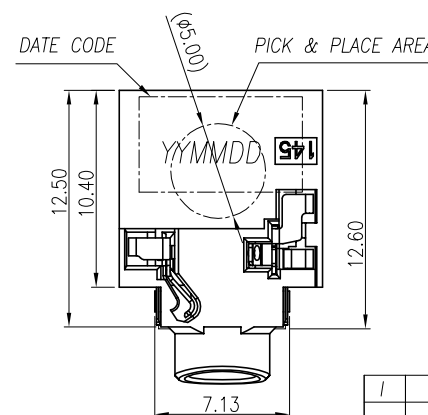
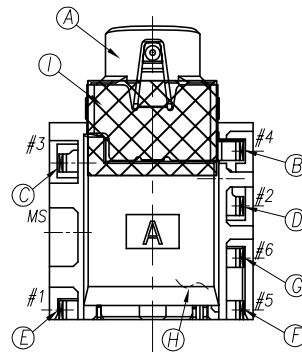
7. 操作温度: -40°~85°

8. "▲" 为重点尺寸管控;

9. 符合环保ROHS要求



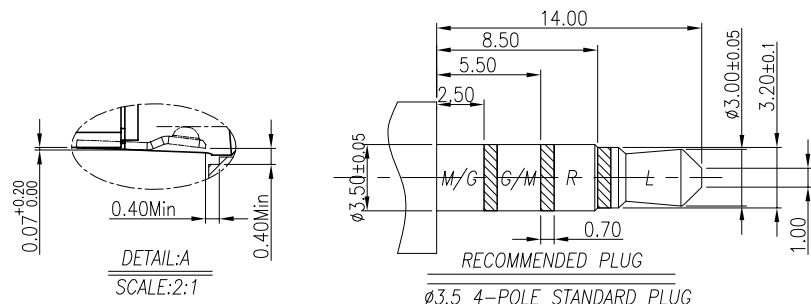
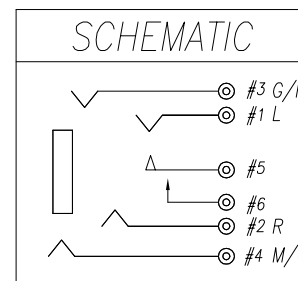
RECOMMENDED PCB LAYOUT  
TOP VIEW ; TOL:±0.05



PART NO. :  
AJ145-BM401-\*\*

- 42: 功能区镀金1U", 锡脚镀雾纯锡100U"Min
- 43: 功能区镀金3U", 锡脚镀雾纯锡100U"Min
- 44: 功能区镀金5U", 锡脚镀雾纯锡100U"Min
- 45: 功能区镀金10U", 锡脚镀雾纯锡100U"Min
- 46: 功能区镀金15U", 锡脚镀雾纯锡100U"Min
- 47: 功能区镀金30U", 锡脚镀雾纯锡100U"Min

NO	DESCRIPTION	QTY	MATERIAL	PLATING & COLOR
I	MYLAR		KAPTON 0.10T	BLACK
H	SEPARATOR	1	LCP	BLACK
G	MAKE TERMINAL	1	C5210-EH 0.2T	GOLD FLASH ON CONTACT AREA; GOLD FLASH ON SOLDER AREA; ALL OVER 50u" Ni.
F	TRANSFER TERMINAL	1	C5210-EH 0.2T	GOLD FLASH ON CONTACT AREA; Matte Sn80u" ON SOLDER AREA; ALL OVER 50u" Ni.
E	TIP SPRING	1	SUS304-1/2H 0.2T	
D	RING A	1	C5210-EH 0.2T	
C	RING B	1	C5210-EH 0.2T	
B	EARTH	1	C5210-EH T0.2	SEE"Table" ON CONTACT AREA; SOLDER AREA Ni 50u"Min.
A	BODY	1	PA9T GP2450NH+30%GF	BLACK



X.± 0.20	X° ± 5°	UNITS
.X± 0.15	.X° ± 2°	mm
.XX± 0.08	.XX° ± 1°	MAT'L
.XXX± 0.05	.XXX° ± 0.5°	FINISH
THESE DRAWINGS AND SPECIFICATIONS ARE THE PROPERTY OF OLN ELECTRONICS TECHNOLOGY CO., LTD. AND SHALL NOT BE REPRODUCED, COPIED OR USED IN ANY MANNER WITHOUT THE PRIOR WRITTEN CONSENT OF OLN ELECTRONICS TECHNOLOGY CO., LTD.		Q'TY

NAME(INTENDED USE)	TITLE:
φ3.5mm AUDIO JACK CONN	OLN® 东莞市欧联电子科技有限公司 DONGGUAN OLN ELECTRONICS TECHNOLOGY CO., LTD.
PART NO.(INTENDED USE)	φ3.5mm AUDIO JACK CONN(AJ145)
APPD:	DWG NO.:
CHKD:	AJ145-BM401-00
DR: Amin 2022-11-29	SCALE SHEET REV.
	1:1 1/2 A